



5142 TOP SHOT MANURE SPREADER

PARTS BOOK



Revision #02
5142 Starting Serial #514059

HSMFG0715

Part #59627

Manufactured By
H&S MANUFACTURING CO.,INC.

P.O. BOX 768 (715) 387-3414 FAX (715) 384-5463
MARSHFIELD, WISCONSIN 54449

CONTENTS

Instructions for Ordering Parts - About Improvements	1
Figure 1 - Auger/Liner/Slides/Hitch	2-5
Figure 2 - Auger/Expeller Drive	6-9
Figure 3 - Expeller/Discharge Gate/Bearings	10-11
Figure 4 - Expeller/Discharge Gate/Door	12-13
Figure 5 - Expeller/Discharge Gate/Pan	14-15
Figure 6 - Guards/Shields	16-17
Figure 7 - Splash Guards/Rails	18-19
Figure 8 - Hydraulics	20-21
Figure 9 - Tandem Axles	22-23
Figure 10 - Oiler Kit	24-25
Figure 11 - Front Grease Lines	26-27
Figure 12 - Lighting	28-29
Figure 13 - Auger	30-31
Figure 14 - Gear Box	32-33
Figure 15 - Auger Front & Rear Hydraulic Cylinder	34
Figure 16 - Expeller Door Hydraulic Cylinder	35
Figure 17 - PTO	36
Figure 18 - Scale	37
Figure 19 - Cover Components	38-39
Figure 20 - Cover Hydraulics	40-41
Figure 21 - Cover Seal	42-43
Parts Notes	44

INSTRUCTIONS FOR ORDERING PARTS

All service parts should be ordered through your authorized H & S dealer. They will be able to give you faster service if you will provide them with the following

1. Model & Serial number is located on the main frame.
2. All reference to left or right apply to the *Top Shot* as viewed from the rear.
3. Parts should not be ordered from illustration only. Please order by complete part number.
4. If your dealer has to order parts - give shipping instructions:
VIA truck - large pieces (please specify local truck lines)
VIA United Parcel Service (include full address)

H&S MFG. CO. INC.	
MARSHFIELD, WIS.	
MOD. NO.	<input type="text"/>
SER. NO.	<input type="text"/>
DESCR.	<input type="text"/>

PLEASE RECORD NUMBERS FOR YOUR UNIT FOR QUICK REFERENCE

ABOUT IMPROVEMENTS

H&S IS CONTINUALLY STRIVING TO IMPROVE IT'S PRODUCTS

We must therefore, reserve the right to make improvements or changes whenever it becomes practical to do so without incurring any obligation to make changes or additions to the equipment previously sold.

FIGURE 1

AUGER/LINER/SLIDES/HITCH

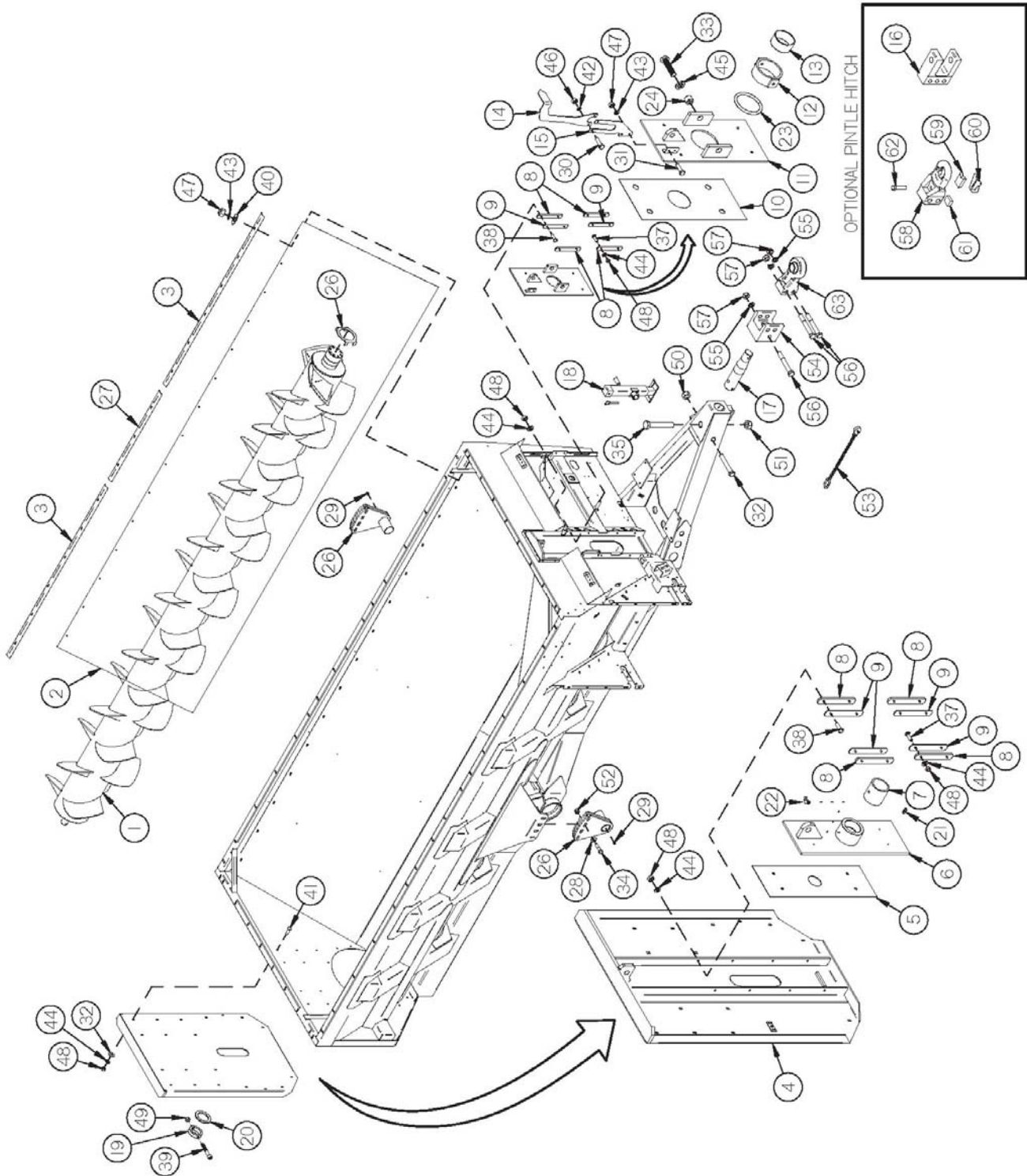


FIGURE 1

AUGER/LINER/SLIDES/HITCH

<u>ITEM</u>	<u>QTY</u>	<u>PART #</u>	<u>DESCRIPTION</u>
1	1	APX4WE01	AUGER
2	1	APX4PL01	TUB SIDE POLY
3	1	TS4	POLY TOP HOLD DOWN
4	1	TS202	BACK PANEL
5	1	TS7	BACK SLIDER POLY
6	1	TS309	BACK SLIDER
7	1	TS9	REAR AUGER BUSHING
8	8	TS10	SLIDER GUIDE
9	6	TS308	SLIDER GUIDE THIN
10	1	TS203	FRONT POLY SLIDE
11	1	TS204	FRONT SLIDE PLATE
12	1	TS205	TRUNNION HOUSING
13	1	TS206	FRONT AUGER BEARING
*	1	TS400	TRUNNION HOUSING WITH BEARING
14	1	TS207	AUGER INDICATOR TOP
15	1	TS208	AUGER INDICATOR BOTTOM
16	1	56310	TOP SHOT HEAVY CLEVIS
17	1	TS210	HITCH BAR STRAIGHT
18	1	TS306	JACK, SIDE WIND, 7000 LBS.
19	1	TS19	AUGER BACK COLLAR
20	A/R	TS227	SPACER 2-17/32" (THICK)
*	A/R	TS28	SPACER 2-17/32" (THIN)
21	4	G89	1/4" GREASE ZERK
22	1	RG51	GREASE ZERK 90 DEGREE
23	1	TS229	6" RUBBER RING
24	3	TS230	BUSHING 3/4" X 7/8"
25	1	TS320	WEAR PLATE 6 INCH
26	2	APX4WE02	OUTER AXLE SUPPORT
27	1	APX410G03	POLY TOP HOLD DOWN
28	8	YWFL32005	CLAMP WASHER
29	2	BFR28	1/8" NPT GREASE ZERK #1610
30	2	YBHH08100	BOLT, 1/4" X 3/4" GR. 5

NOTE:* MEANS NOT SHOWN

A/R: AS REQUIRED

FIGURE 1

AUGER/LINER/SLIDES/HITCH

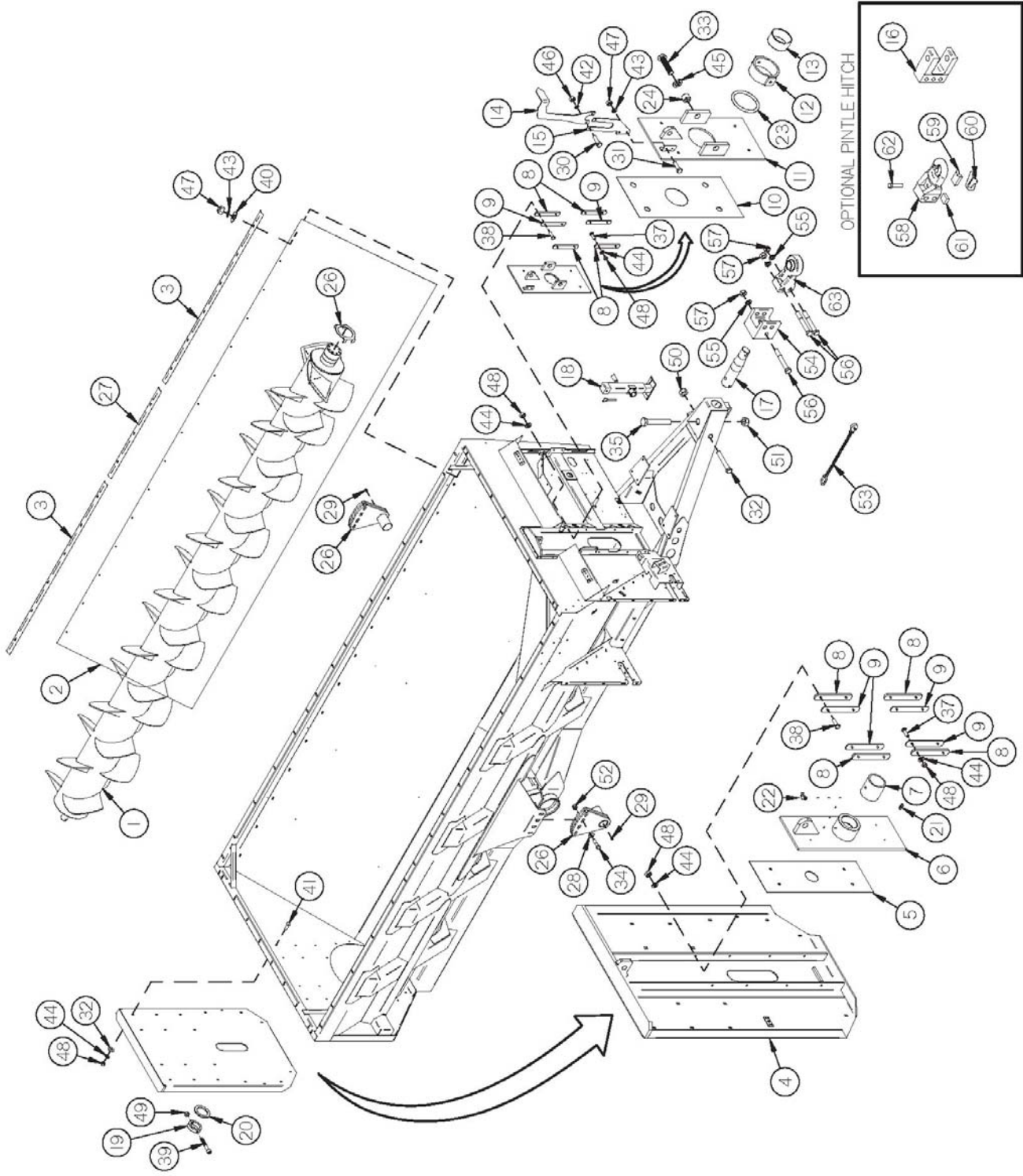


FIGURE 1

AUGER/LINER/SLIDES/HITCH

<u>ITEM</u>	<u>QTY</u>	<u>PART#</u>	<u>DESCRIPTION</u>
31	2	YBHH10105	BOLT, 5/16" X 3/4" GR. 5
32	1	YBHH20101	BOLT, HEX HEAD, 5/8" X 6" GR. 8
33	2	YBHH24018	BOLT, HEX HEAD, 3/4"-10 X 2" GR. 8, YELLOW ZINC FINISH
34	8	YBHH32018	BOLT, HEX HEAD, 1"-8 X 4" GR. 8, YELLOW ZINC FINISH
35	1	YBHH32026	BOLT, HEX HEAD, 1" X 6" GR. 8
36	20	YBCR12010	CARR. BOLT, 3/8" X 1" GR. 5
37	8	YBCR12020	CARR. BOLT, 3/8" X 1-1/4" GR. 5
38	8	YBCR12015	CARR. BOLT, 3/8" X 1-1/2" GR. 5
39	1	YSHS12018	SOCKET HEAD CAP SCREW, 3/8" X 4"
40	15	YWFL10005	WASHER, FLAT, 5/16" USS
41	20	YWFL12005	WASHER, FLAT, 3/8" USS
42	2	YWLO08005	WASHER, LOCK, 1/4"
43	17	YWLO10005	WASHER, LOCK, 5/16"
44	36	YWLO12005	WASHER, LOCK, 3/8"
45	2	YWLO24005	WASHER, LOCK, 3/4"
46	2	YNHX08005	HEX NUT, 1/4"-20
47	17	YNHX10005	HEX NUT, 5/16"
48	36	YNHX12005	HEX NUT, 3/8"-16
49	1	YNTL12005	HEX NUT, TOP LOCK, 3/8"-16
50	1	YNRL20005	HEX NUT, REVERSIBLE-SIDE LOCK, 5/8"-11
51	1	YNRL32005	HEX NUT, REVERSIBLE-SIDE LOCK, 1"-8
52	8	YNSF32010	1"-8 SERRATED FLANGE NUT
53	1	SC60000	#60000 SAFETY CHAIN (OPTIONAL)
54	1	APX3HF41	HITCH ADAPTER
55	3	YWLO32005	WASHER, LOCK, 1"
56	3	YBHH32034	BOLT, HEX HEAD, 1"-8 X 7-1/2" GR. 8
57	3	YNHX32015	HEX NUT, 1"- 8 GR. 8
58	1	58557	BASE, PERFECT HITCH
59	1	58558	BLOCK, V
60	1	58559	PLATE, TOP
61	1	58554	CUSHION
62	1	YBHH24051	BOLT, 3/4" X 3" GR. 5 FULL THREAD
63	1	58290	ARTICULATING HITCH

FIGURE 2

AUGER/EXPELLER DRIVE

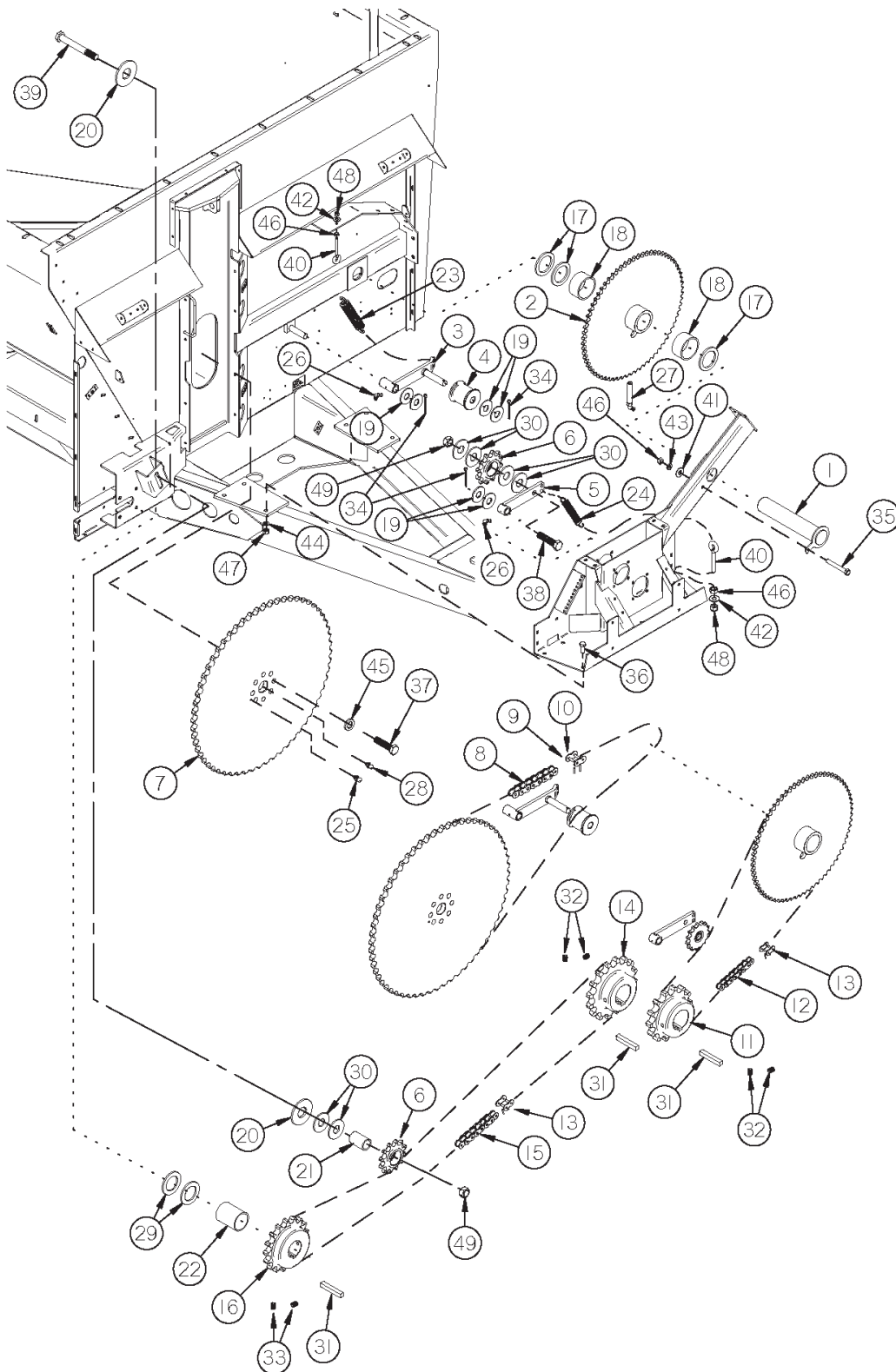


FIGURE 2

AUGER/EXPELLER DRIVE

<u>ITEM</u>	<u>QTY</u>	<u>PART #</u>	<u>DESCRIPTION</u>
1	1	TS211	COUNTER SHAFT
2	1	TS212	COUNTER SHAFT REDUCTION
3	1	TS213	AUGER CHAIN TENSIONER
4	1	TS25	ROLLER IDLER
5	1	TS214	CHAIN TENSIONER
6	2	16SV328	SPROCKET/IDLER ASSY
7	1	TS217	SPROCKET 140-B-54
8	1	TS218	CHAIN/ROLLER #140HE X 77
9	1	TS219	LINK/OFFSET (#140HE)
10	1	TS220	LINK/CONNECTOR (#140HE)
11	1	TS221	SPROCKET/DRIVE #80X14T (STANDARD, FACTORY)
*	1	TS372	SPROCKET/DRIVE #80X12T (OPTIONAL, FIELD)
*	1	TS373	SPROCKET/DRIVE #80X15T (OPTIONAL, FIELD)
*	1	TS224	SPROCKET/DRIVE #80X16T (OPTIONAL, FIELD)
12	1	TS222	CHAIN/ROLLER #80HE X 98 (14T & 15T SPROCKETS, FACTORY)
*	1	TS375	CHAIN/ROLLER #80HE X 97 (12T SPROCKET, FIELD)
*	1	TS376	CHAIN/ROLLER #80HE X 99 (16T SPROCKET, FIELD)
13	2	TS223	LINK/CONNECTOR (#80HE)
14	1	TS224	SPROCKET #80X16T (STANDARD, FACTORY)
*	1	TS372	SPROCKET #80X12T (OPTIONAL, FIELD)
*	1	TS378	SPROCKET #80X14T (OPTIONAL, FIELD)
15	1	TS225	CHAIN/ROLLER #80HE X 84 (16T SPROCKET, FACTORY)
*	1	TS379	CHAIN/ROLLER #80HE X 82 (12T SPROCKET, FIELD)
*	1	TS380	CHAIN/ROLLER #80HE X 83 (14T SPROCKET, FIELD)
16	1	TS226	SPROCKET/80-B-17
17	A/R	TS227	SPACER 2-17/32" (THICK)
*	A/R	TS28	SPACER 2-17/32" (THIN)
18	2	TS228	BRONZE BUSHING
19	A/R	S345	1" SPACER
20	2	16SV376	SPACER .780 ID
21	3	TS230	BUSHING 3/4" X 7/8"
22	1	TS231	SPACER
23	1	BFR138	SPRING

NOTE: * MEANS NOT SHOWN

A/R: AS REQUIRED

(FACTORY) MEANS PUT ON AT FACTORY

(FIELD) ORDERED FROM DEALER

FIGURE 2

AUGER/EXPELLER DRIVE

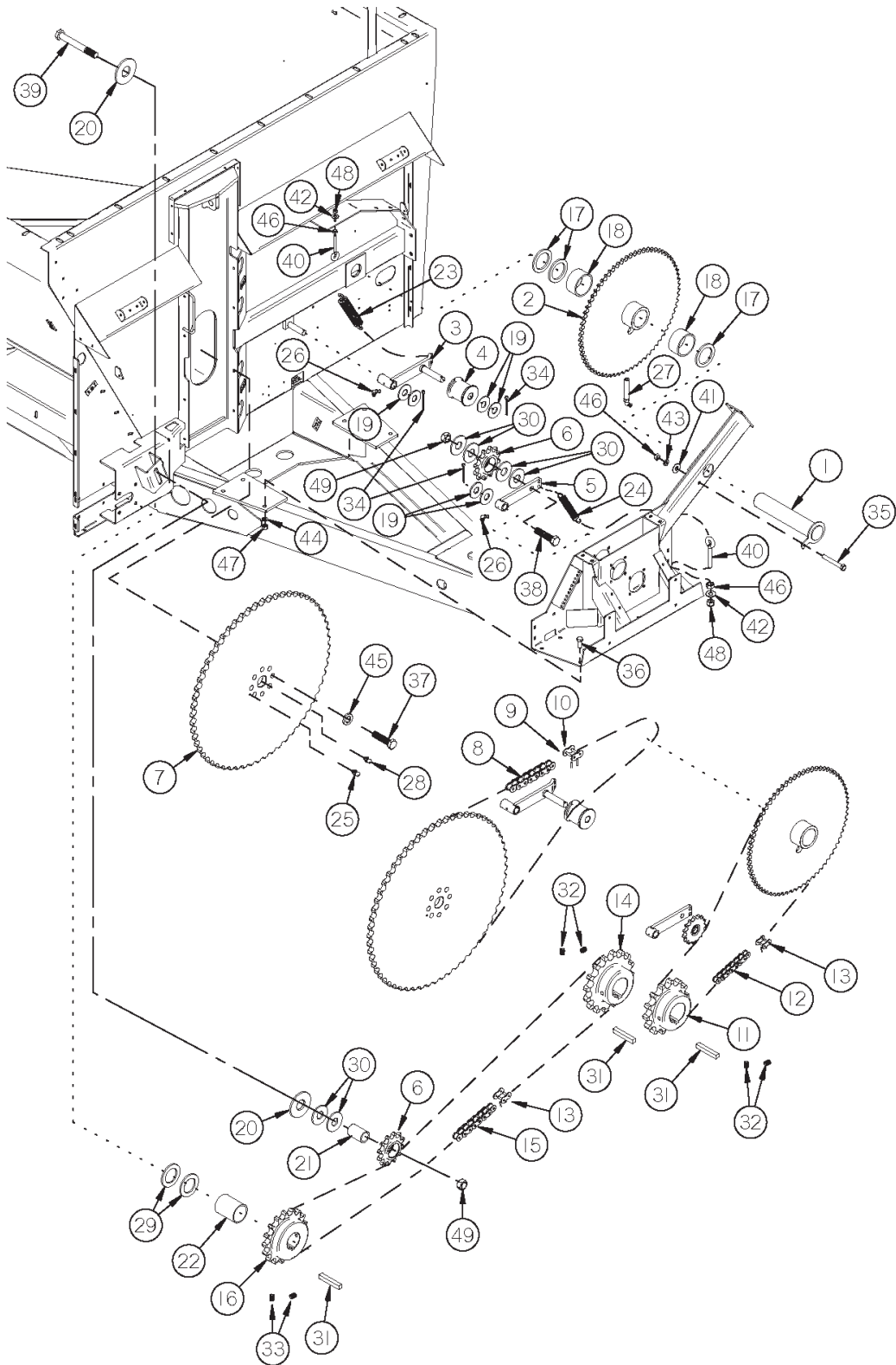


FIGURE 2

AUGER/EXPELLER DRIVE

<u>ITEM</u>	<u>QTY</u>	<u>PART#</u>	<u>DESCRIPTION</u>
24	1	K103	SPRING/EXTENSION
25	1	G89	GREASE ZERK
26	2	RG51	GREASE ZERK 90 DEGREE
27	1	ZK90	ZERK, 90 DEGREE, 1-13/16" X 1/8" PIPE THREAD
28	1	BFR28	1/8" NPT GREASE ZERK #1610 (LEFT SIDE AXLE)
29	A/R	S36	SHIM, 3/16"
*	A/R	S409	SHIM, 1/8"
30	6	T73	WASHER
31	3	G139	3/8" X 1-1/2" SQ. KEY
32	4	YSKP12025	SET SCREW, SOCKET, KNURLED CUP PT, 3/8"-16 X 3/8"
33	2	YSKP12010	SET SCREW, SOCKET, KNURLED CUP PT, 3/8"-16 X 1/2"
34	3	YPCT05010	COTTER PIN, 5/32" X 1-1/2"
35	1	YBHH12110	BOLT, 3/8" X 2-3/4" GR. 5
36	6	YBHH20010	BOLT, 5/8" X 1-1/2" GR. 5
37	8	YBHH24041	BOLT, HEX HEAD, 3/4" X 2-3/4" GR. 8
38	1	YBHH24050	BOLT, 3/4" X 3" GR. 5
39	1	YBHH24075	BOLT, 3/4" X 4-1/2" GR. 5
40	2	YBTE12025	TURNTD EYE BOLT, 3/8" X 3" FULL THREAD
41	1	YWFL10005	WASHER, FLAT, 5/16" USS
42	1	YWFL12005	WASHER, FLAT, 3/8" USS
43	1	YWLO12005	WASHER, LOCK, 3/8"
44	6	YWLO20005	WASHER, LOCK, 5/8"
45	8	YWLO24005	WASHER, LOCK, 3/4"
46	3	YNHX12005	HEX NUT, 3/8"-16
47	6	YNHX20005	HEX NUT, 5/8"-11
48	2	YNNY12005	HEX NUT, NYLON LOCKNUT, 3/8"
49	2	YNRL24005	HEX NUT, REVERSIBLE-SIDE LOCK, 3/4"-10

**NOTE:* MEANS NOT SHOWN
A/R: AS REQUIRED**

FIGURE 3

EXPELLER/DISCHARGE GATE/BEARINGS

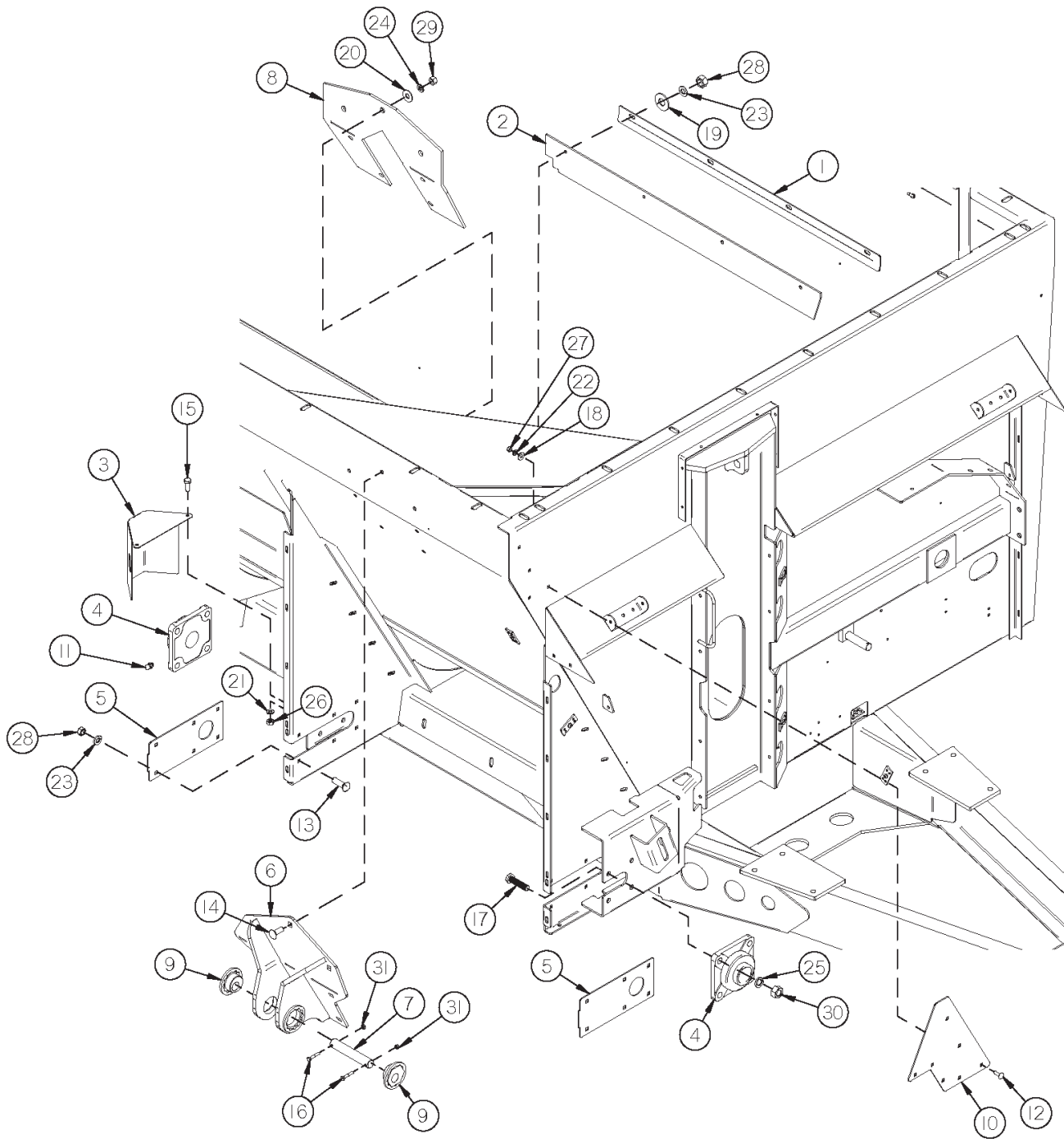


FIGURE 3

EXPELLER/DISCHARGE GATE/BEARINGS

<u>ITEM</u>	<u>QTY</u>	<u>PART #</u>	<u>DESCRIPTION</u>
1	1	TS43	DOOR SEAL CLAMP
2	1	TS44	EXPELLER DOOR TOP SEAL
3	1	TS45	EXPELLER BEARING SHIELD
4	2	HGV41	EXPELLER BEARING
5	2	TS47	COVER PLATE
6	1	APX3WE69	CYL MOUNT SUB WELD
7	1	APX3SH15	DOOR CYL TOP PIN
8	1	APX33G52	DOOR CYL REINFORCEMENT
9	2	DWM314	HEX PLUG
10	1	APX310G66	BOLT ON INDICATOR MOUNT
11	1	G89	1/4"-28 STRAIGHT GREASE ZERK
12	4	YBCR10010	CARR. BOLT, 5/16" X 1" GR. 5
13	12	YBCR12010	CARR. BOLT, 3/8" X 1" GR. 5
14	7	YBCR16010	CARR. BOLT, 1/2" X 1-1/2" GR. 5
15	2	YBHH08100	BOLT, 1/4" X 3/4" GR. 5
16	2	YBHH08025	BOLT, 1/4" X 1-1/2" GR. 5
17	8	YBHH18010	BOLT, 9/16" X 1-3/4" GR. 5
18	4	YWFL06010	WASHER, FLAT, 3/16" USS
19	4	YWFL12005	WASHER, FLAT, 3/8" USS
20	7	YWFL16005	WASHER, FLAT, 1/2" USS
21	2	YWLO08005	WASHER, LOCK, 1/4"
22	4	YWLO10005	WASHER, LOCK, 5/16"
23	16	YWLO12005	WASHER, LOCK, 3/8"
24	7	YWLO16005	WASHER, LOCK, 1/2"
25	8	YWLO18005	WASHER, LOCK, 9/16"
26	2	YNHX08005	HEX NUT, 1/4"-20
27	4	YNHX10005	HEX NUT, 5/16"
28	16	YNHX12005	HEX NUT, 3/8"-16
29	7	YNHX16005	HEX NUT, 1/2"
30	8	YNHX18005	HEX NUT, 9/16"-12
31	2	YNTL08005	HEX NUT, TOP LOCK, 1/4"-20

FIGURE 4

EXPELLER/DISCHARGE GATE/DOOR

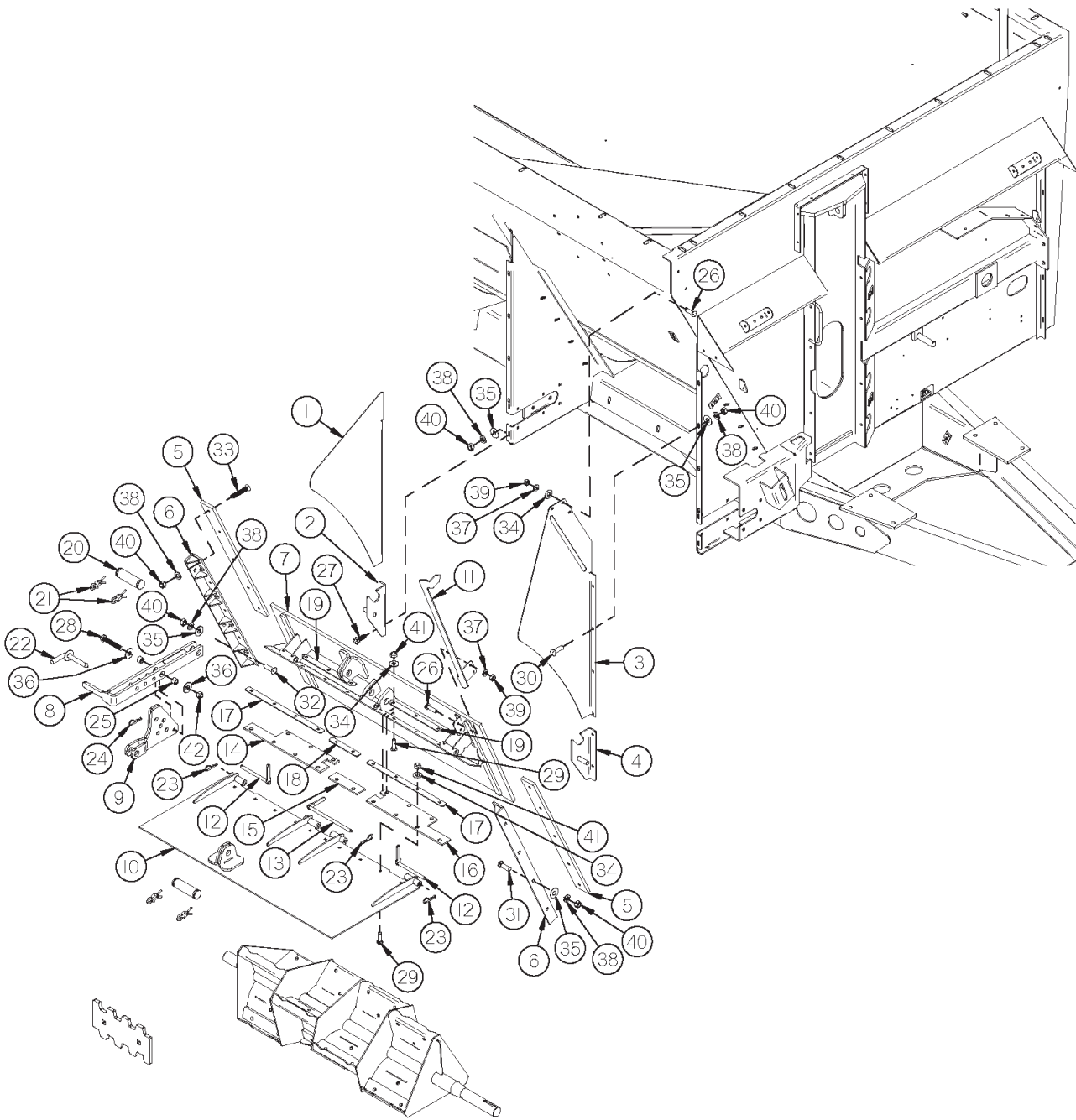


FIGURE 4

EXPPELLER/DISCHARGE GATE/DOOR

<u>ITEM</u>	<u>QTY</u>	<u>PART #</u>	<u>DESCRIPTION</u>
1	1	TS232	EXPPELLER SPOUT LEFT HAND
2	1	TS49	PAN HINGE BRACKET LEFT
3	1	TS233	EXPPELLER SPOUT RIGHT HAND
4	1	TS51	PAN HINGE BRACKET RIGHT
5	2	TS52	DOOR SLIDER POLY
6	2	TS53	EXPPELLER DOOR GUIDE
7	1	TS54	EXPPELLER DOOR
8	1	TS55	DEFLECTOR ADJUSTMENT HANDLE
9	1	TS56	DEFLECTOR ADJUSTMENT LINK
10	1	TS57	ADJUSTABLE FLAT DEFLECTOR
11	1	TS58	DOOR INDICATOR
12	2	TS59	DEFLECTOR SIDE PIN
13	1	TS60	DEFLECTOR MID PIN
14	1	TS61	DEFLECTOR SEAL LEFT
15	1	TS62	DEFLECTOR SEAL MID
16	1	TS63	DEFLECTOR SEAL RIGHT
17	2	TS64	SEAL STRAP LONG
18	1	TS65	SEAL STRAP MID
19	2	TS66	SEAL STRAP SHORT
20	2	T143	CYLINDER PIN
21	4	T144	CLIP PIN
22	1	TS69	DEFLECTOR HANDLE PIN
23	3	X97	HAIR PIN
24	1	WM378	HAIR PIN W/ LANYARD
25	2	TS307	HANDLE PIVOT
26	5	YBHH10105	BOLT, 5/16" X 3/4" GR. 5
27	4	YBHH12010	BOLT, 3/8" X 1" GR. 5
28	1	YBHH16105	BOLT, 1/2" X 3" GR. 5
29	16	YBCR10010	CARR. BOLT, 5/16" X 1" GR. 5
30	8	YBCR12010	CARR. BOLT, 3/8" X 1" GR. 5
31	7	YBCR12020	CARR. BOLT, 3/8" X 1-1/4" GR. 5
32	1	YBCR12015	CARR. BOLT, 3/8" X 1-1/2" GR. 5
33	10	YSFS12005	FLAT HEAD SOCKET CAP SCREW, 3/8" X 1-1/4"
34	19	YWFL10005	WASHER, FLAT, 5/16" USS
35	20	YWFL12005	WASHER, FLAT, 3/8" USS
36	2	YWFL16005	WASHER, FLAT, 1/2" USS
37	5	YWLO10005	WASHER, LOCK, 5/16"
38	30	YWLO12005	WASHER, LOCK, 3/8"
39	5	YNHX10005	HEX NUT, 5/16"
40	30	YNHX12005	HEX NUT, 3/8"-16
41	16	YNTL10005	HEX NUT, TOP LOCK, 5/16"-18
42	1	YNTL16005	HEX NUT, TOP LOCK, 1/2"-13

FIGURE 5

EXPELLER/DISCHARGE GATE/PAN

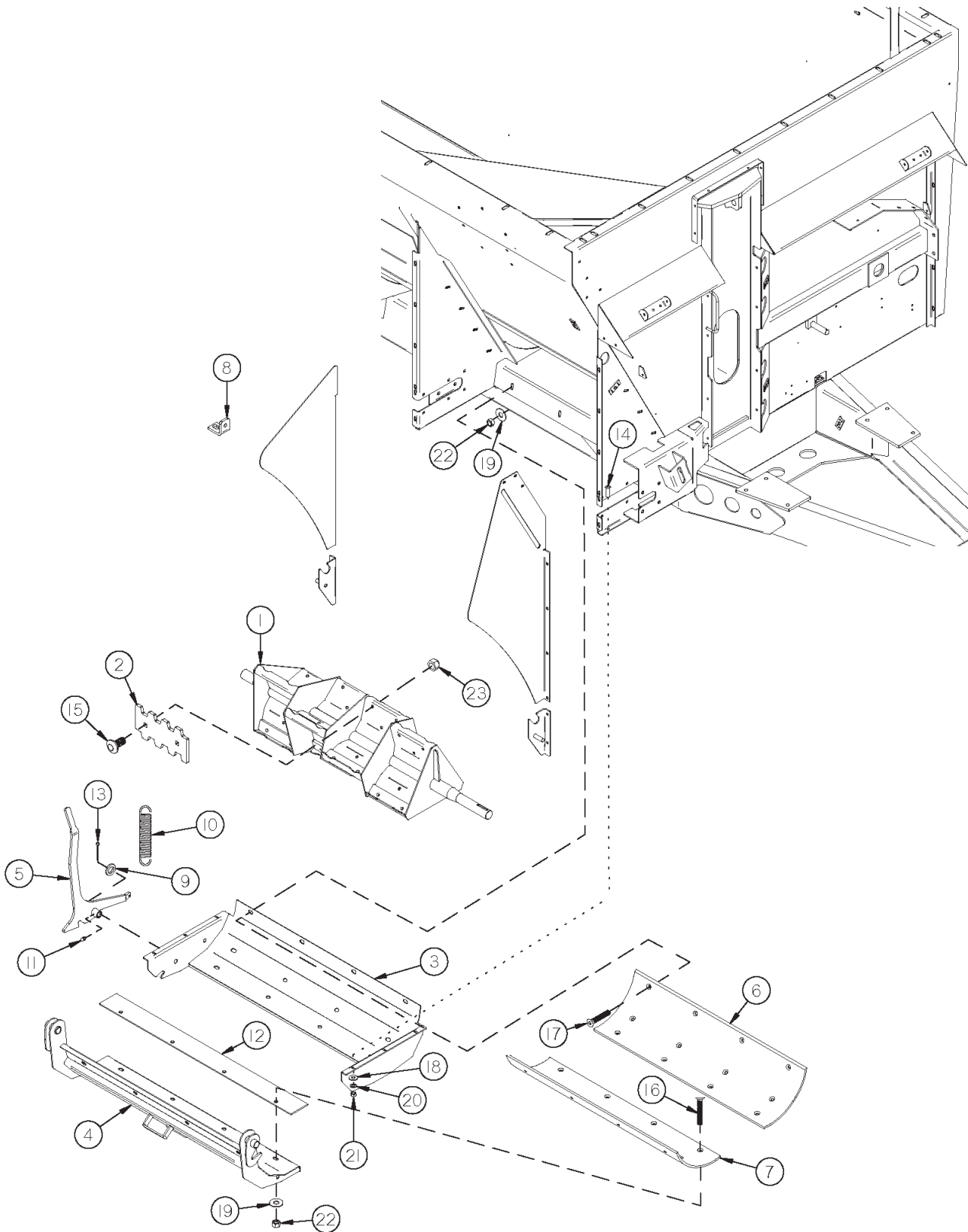


FIGURE 5

EXPPELLER/DISCHARGE GATE/PAN

<u>ITEM</u>	<u>QTY</u>	<u>PART #</u>	<u>DESCRIPTION</u>
1	1	69616	EXPPELLER
2	12	TS68	EXPPELLER PADDLE
3	1	TS72	SWING AWAY PAN FRAME
4	1	TS73	SWING AWAY PAN
5	1	TS74	PAN LATCH HANDLE
6	1	TS75	EXPPELLER BACK POLY
7	1	TS76	EXPPELLER PAN POLY
8	1	56N146	SHIELD ANGLE
9	3	T73	SPACER
10	1	K103	SPRING
11	1	G89	1/4"-28 STRAIGHT GREASE ZERK
12	1	TS18	PAN RUBBER SEAL
13	1	YPCT06010	COTTER PIN, 3/16" X 1-1/4"
14	6	YBCR10010	CARR. BOLT, 5/16" X 1" GR. 5
15	24	YBCR16019	SHAKER SCREEN BOLT, 1/2" X 1-3/4" GR. 8
16	20	YSFS16010	FLAT HEAD SOCKET CAP SCREW, 1/2" X 1-1/2"
17	4	YSFS16020	FLAT HEAD SOCKET CAP SCREW, 1/2" X 1-3/4"
18	6	YWFL10005	WASHER, FLAT, 5/16" USS
19	24	YWFL16005	WASHER, FLAT, 1/2" USS
20	6	YWLO10005	WASHER, LOCK, 5/16"
21	6	YNHX10005	HEX NUT, 5/16"
22	24	YNRL16005	HEX NUT, REVERSIBLE-SIDE LOCK, 1/2"-13
23	24	YNRL16006	HEX NUT, TOP LOCK, 1/2"-13 GR. 9

FIGURE 6

GUARDS/SHIELDS

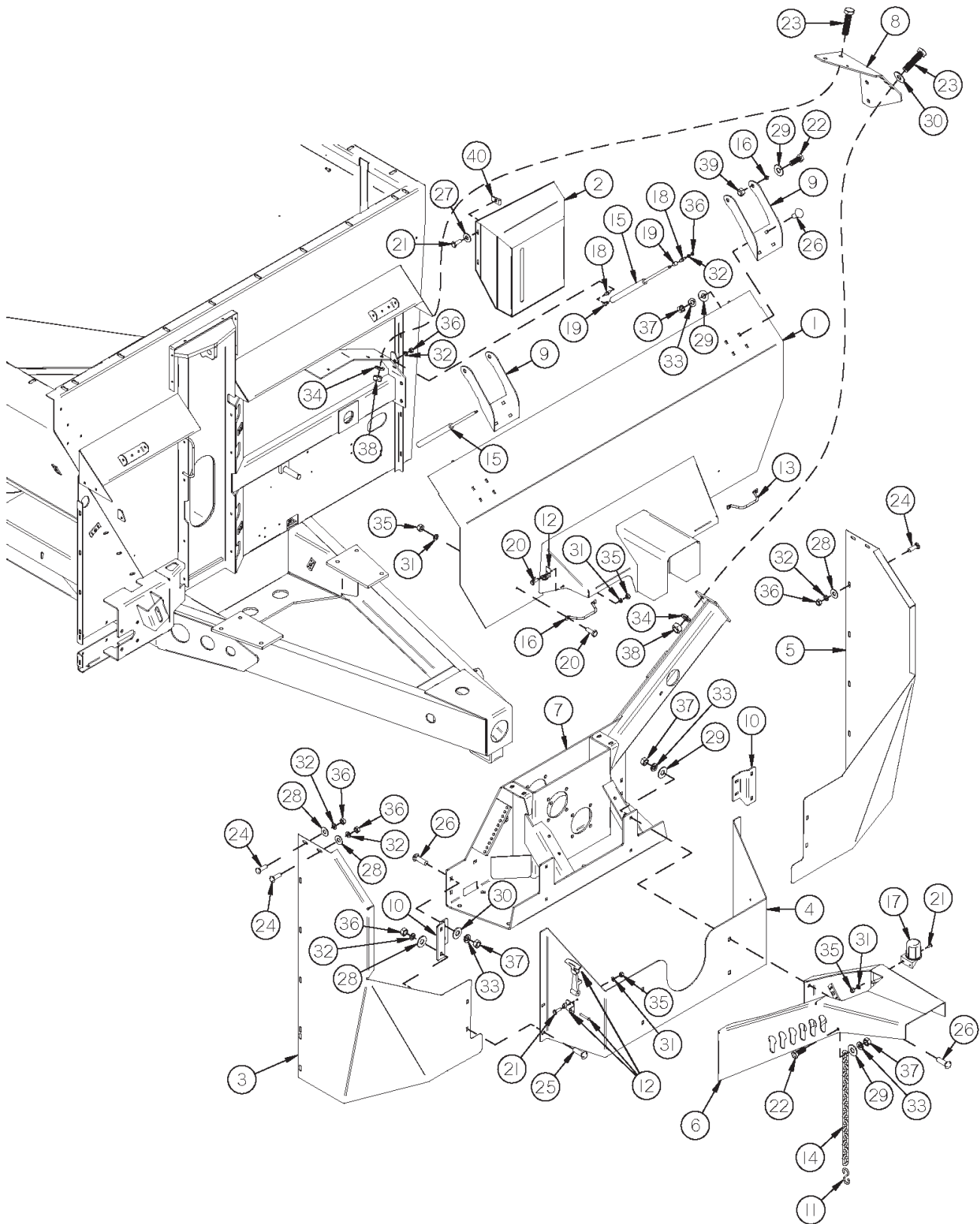


FIGURE 6

GUARDS/SHIELDS

<u>ITEM</u>	<u>QTY</u>	<u>PART #</u>	<u>DESCRIPTION</u>
1	1	TS234	FRONT SHIELD
2	1	TS235	FRONT CYLINDER COVER
3	1	TS236	FRONT SHIELD RIGHT SIDE
4	1	TS237	GEARBOX SHIELD
5	1	TS238	FRONT SHIELD LEFT SIDE
6	1	TS239	HOSE HOLDER
7	1	TS240	GEARBOX
8	1	TS241	JACKSHAFT BRACE
9	2	TS242	SHIELD HINGE
10	2	TS243	FRONT SHIELD MOUNT
11	1	F87	S HOOK
12	2	X233	COMPLETE LATCH
13	2	TS96	SHIELD HANDLE
14	1	TS130	CHAIN PTO HOLDER
15	2	TS244	GAS STRUT
16	4	GM180	SPACER
17	1	CHM38	PLUG COVER
18	2	TS382	MOUNTING BALL
19	2	TS383	BALL SOCKET
20	6	YBHH08015	BOLT, 1/4" X 1/2" GR. 5
21	8	YBHH08100	BOLT, 1/4" X 3/4" GR. 5
22	5	YBHH12010	BOLT, 3/8" X 1" GR. 5
23	8	YBHH20010	BOLT, 5/8" X 1-1/2" GR. 5
24	8	YBCR10030	CARR. BOLT, 5/16" X 3/4" GR. 5
25	4	YBCR10010	CARR. BOLT, 5/16" X 1" GR. 5
26	16	YBCR12010	CARR. BOLT, 3/8" X 1" GR. 5
27	4	YWFL08005	WASHER, FLAT, 1/4" USS
28	12	YWFL10005	WASHER, FLAT, 5/16" USS
29	21	YWFL12005	WASHER, FLAT, 3/8" USS
30	3	YWFL20005	WASHER, FLAT, 5/8" USS
31	10	YWLO08005	WASHER, LOCK, 1/4"
32	16	YWLO10005	WASHER, LOCK, 5/16"
33	17	YWLO12005	WASHER, LOCK, 3/8"
34	8	YWLO20005	WASHER, LOCK, 5/8"
35	10	YNHX08005	HEX NUT, 1/4"-20
36	16	YNHX10005	HEX NUT, 5/16"
37	17	YNHX12005	HEX NUT, 3/8"-16
38	8	YNHX20005	HEX NUT, 5/8"-11
39	4	YNL12005	HEX NUT, TOP LOCK, 3/8"-16
40	4	YNUN08005	EXTRUDED U NUT, 1/4"-20

FIGURE 7
SPLASH GUARDS/RAILS

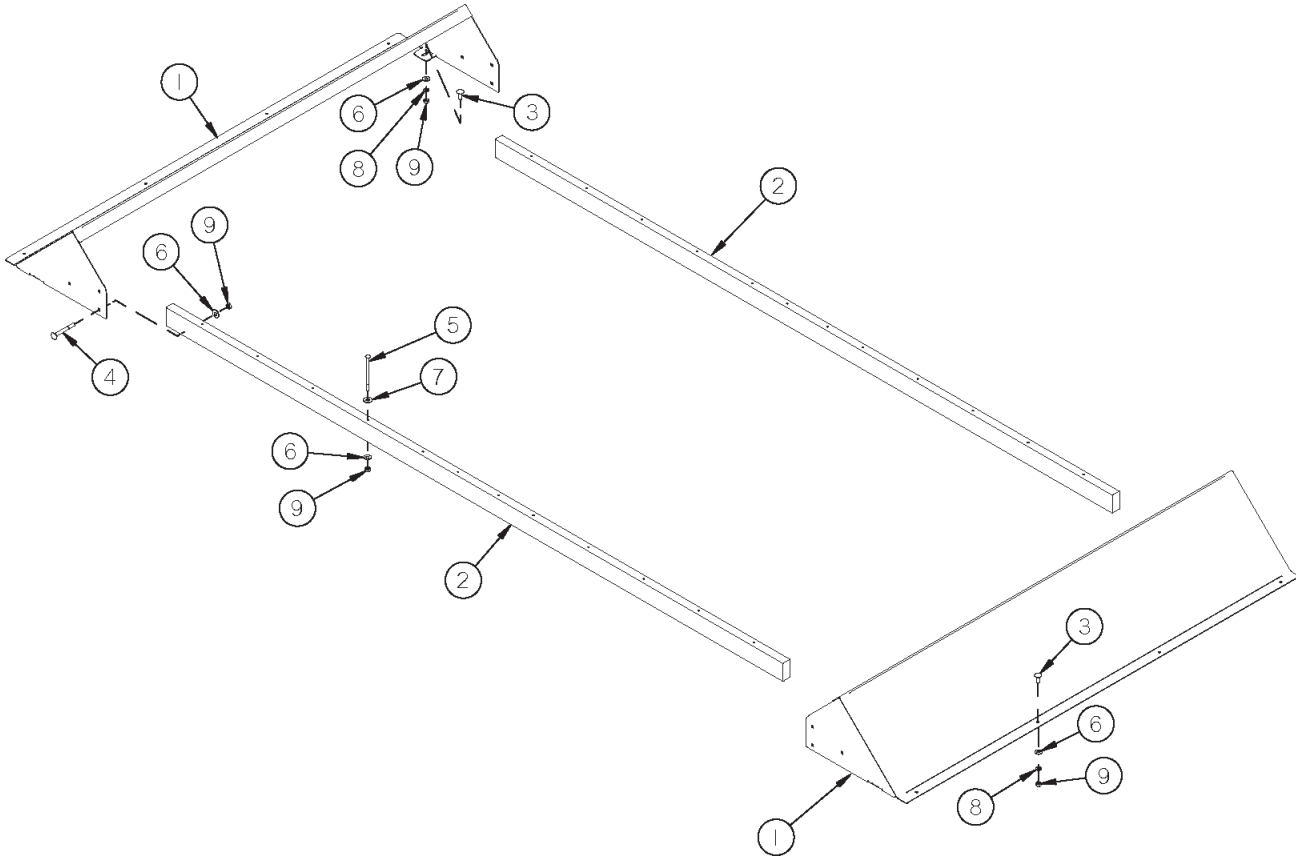


FIGURE 7

SPLASH GUARDS/RAILS

<u>ITEM</u>	<u>QTY</u>	<u>PART #</u>	<u>DESCRIPTION</u>
1	2	TS245	SPLASH GUARD
2	2	APX4MS04	WOOD RAIL
3	12	YBCR12010	CARR. BOLT, 3/8" X 1" GR. 5
4	12	YBCR12080	CARR. BOLT, 3/8" X 3-1/4" GR. 5
5	24	YBCR12123	CARR. BOLT, 3/8" X 6-1/2" GR. 5
6	48	YWFL12005	WASHER, FLAT, 3/8" USS
7	24	YWFL16005	WASHER, FLAT, 1/2" USS
8	12	YWLO12005	WASHER, LOCK, 3/8"
9	48	YNHX12005	HEX NUT, 3/8"-16

FIGURE 8

HYDRAULICS

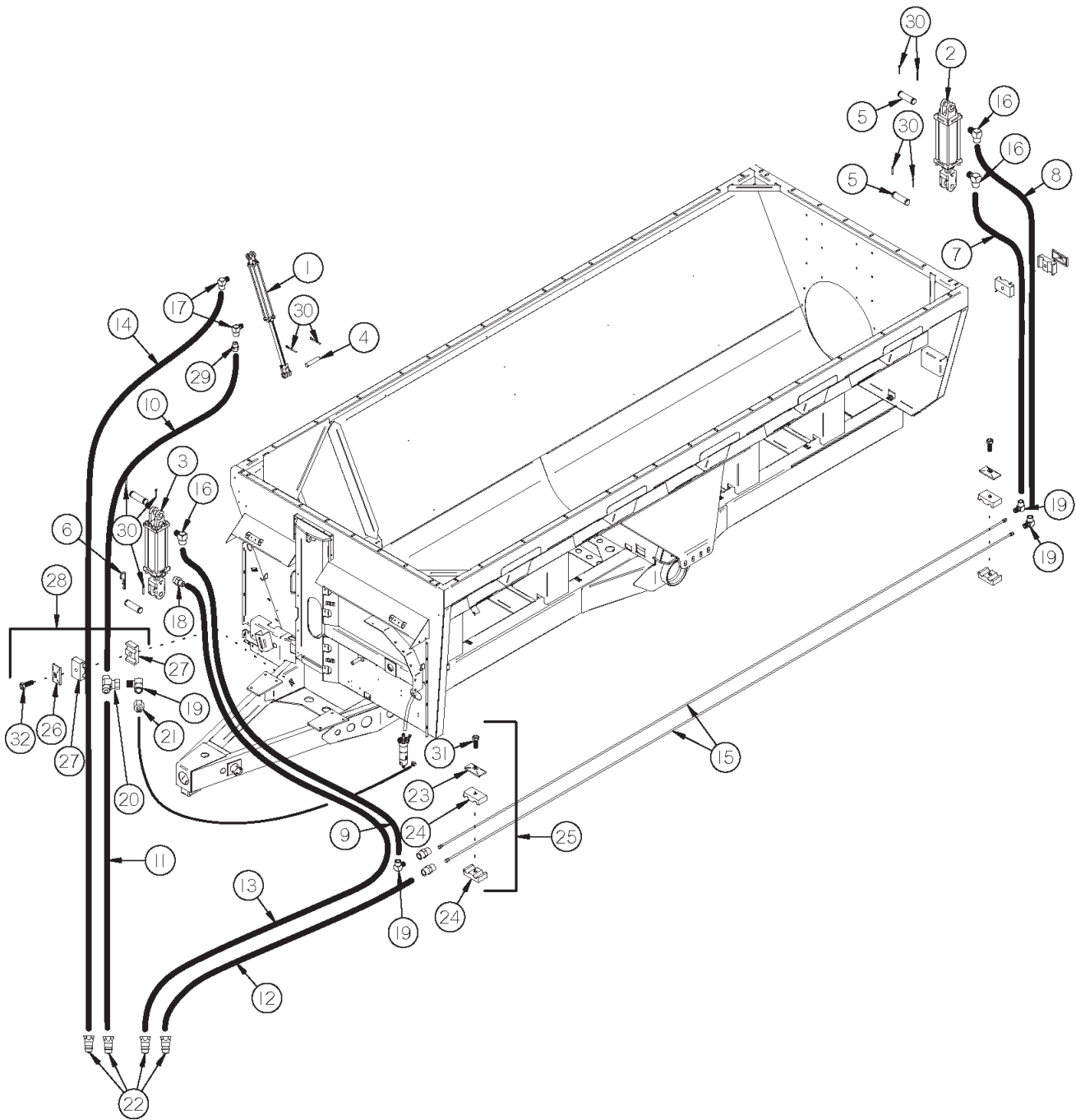


FIGURE 8

HYDRAULICS

<u>ITEM</u>	<u>QTY</u>	<u>PART #</u>	<u>DESCRIPTION</u>
1	1	23N111A	2 X 16 CYLINDER
*	1	56015	2 X 16 CYLINDER
2	1	TS105	3-1/4 x 8 CYLINDER
3	1	TS104	3 X 8 CYLINDER
4	1	LW55	CYLINDER PIN
5	4	T143	CYLINDER PIN
6	1	YPHR02010	HAIR PIN, #21-07
7	1	TS115	HYDRAULIC HOSE 1/2" X 49" -8 JIC FEMALE SWIVEL & -8 JIC MALE
8	1	TS247	HYDRAULIC HOSE 1/2" X 60" -8 JIC FEMALE SWIVEL & -8 JIC MALE
9	1	TS248	HYDRAULIC HOSE 1/2" X 66" -8 JIC FEMALE SWIVEL & -8 JIC MALE
10	1	TS249	HYDRAULIC HOSE 1/2" X 81" -8 JIC FEMALE SWIVEL & -8 JIC FEMALE SWIVEL
11	1	TS250	HYDRAULIC HOSE 1/2 X 110" -8 JIC FEMALE SWIVEL & 1/2 MP
12	1	TS251	HYDRAULIC HOSE 1/2 X 124" -8 JIC MALE & 1/2 MP
13	1	TS252	HYDRAULIC HOSE 1/2 X 176" -8 JIC FEMALE SWIVEL & 1/2 MP
14	1	TS253	HYDRAULIC HOSE 1/2 X 200" -8 JIC FEMALE SWIVEL & 1/2 MP
15	2	APX4MS07	HYDRAULIC LINE
16	3	TS135	-8 MALE O-RING TO -8 MALE JIC 90°
17	2	TS136	3/8" MALE PIPE TO -8 MALE JIC 90°
18	1	TS137	-8 MALE O-RING TO -8 MALE JIC
19	4	TFM83	-8 FEMALE JIC SWIVEL TO -8 MALE JIC 90°
20	1	TS139	-8 JIC SWIVEL BRANCH TEE
21	1	TS299	-8 MALE JIC TO 3/8" FEMALE PIPE
22	4	DWM205	QUICK COUPLER MALE
23	6	TS117	LINE CLAMP CAP
24	12	TS118	LINE CLAMP BLOCK
25	6	TFM91	DOUBLE STEEL LINE CLAMP
26	11	GM69	LINE CLAMP CAP
27	22	GM70	LINE CLAMP BLOCK
28	11	GM9	HOSE CLAMP 1/2" TWIN (COMPLETE)
29	1	TS197	ORIFICE .031
30	9	YPCT05010	COTTER PIN, 5/32" X 1-1/2"
31	6	YBHH10030	BOLT, 5/16" X 1-1/2" GR. 5
32	11	YBHH10055	BOLT, 5/16" X 1-3/4" GR. 5

NOTE: *MEANS NOT SHOWN

FIGURE 9
TANDEM AXLES

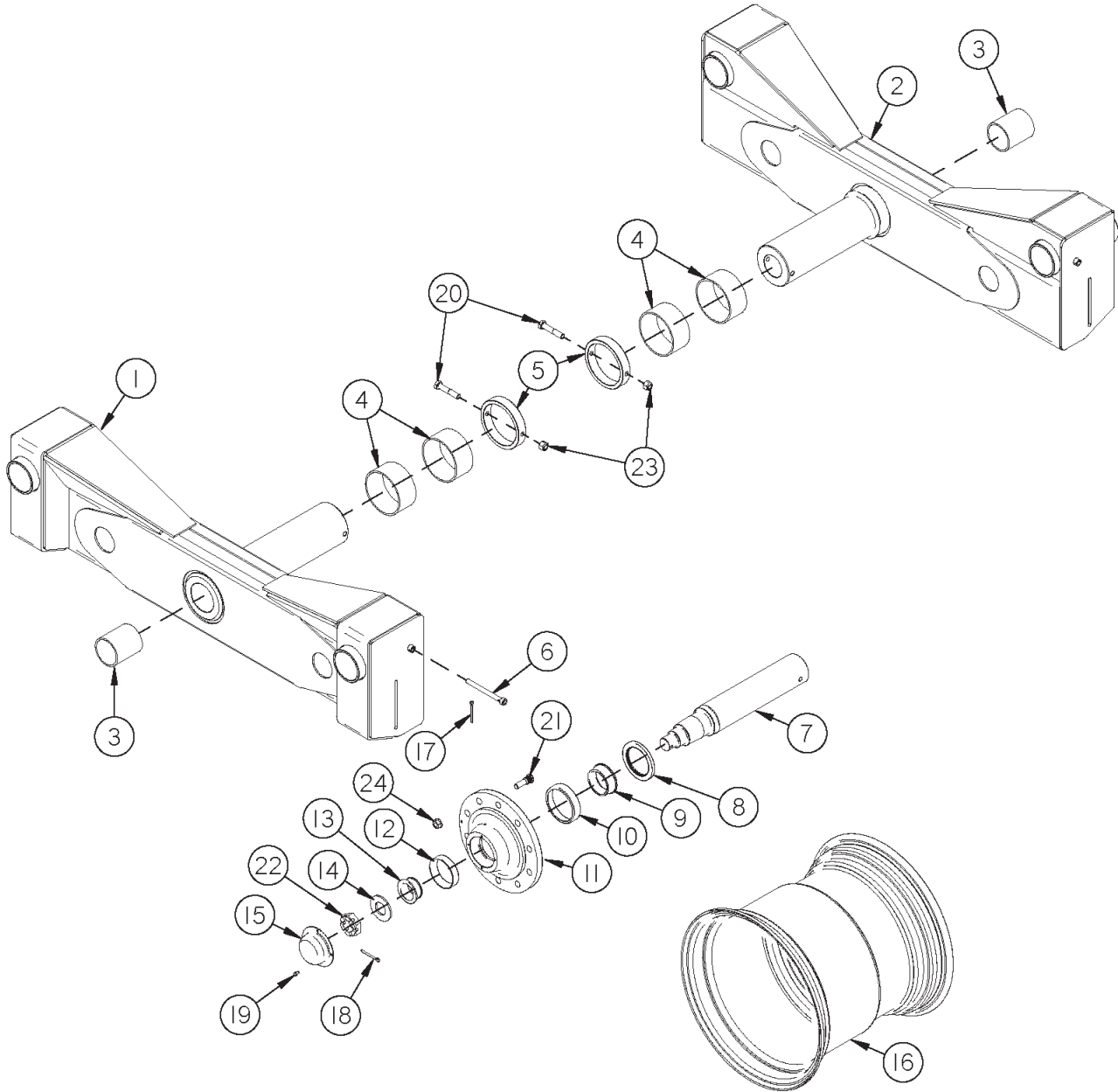


FIGURE 9

TANDEM AXLES

<u>ITEM</u>	<u>QTY</u>	<u>PART #</u>	<u>DESCRIPTION</u>
1	1	APX4WE03	DROP TANDEM BEAM RIGHT
2	1	APX4WE05	DROP TANDEM BEAM LEFT
3	2	APX4MS06	OUTSIDE AXLE BEARING
4	4	APX4MS05	AXLE BEARING
5	2	APX4TU08	TANDEM COLLAR
6	4	TS260	SPINDLE PIN
7	4	TS394	TANDEM SPINDLE (15000 LB HUB)
8	4	TS387	SEAL
9	4	TS388	INNER BEARING
10	4	TS389	INNER RACE
11	4	56538	891 HUB WITH RACES
*	4	56537	HUB/SPINDLE ASSEMBLY LG8910001, 10-BOLT, BRAKE VERSION
12	4	TS390	OUTER RACE
13	4	TS391	OUTER BEARING
14	4	TS392	WASHER
15	4	TS393	HUB CAP
16	4	8571	WHEEL
17	4	YPCT06020	COTTER PIN, 3/16" X 2"
18	4	YPCT10020	COTTER PIN, 5/16" X 4"
19	16	YBHH10020	BOLT, 5/16" X 1/2" GR. 5
20	4	YBHH20055	BOLT, 5/8" X 3-1/2" GR. 5
21	40	YBSD24015	STUD BOLT, 3/4-16UNF X 3-7/8 (3/4)
22	4	YNSL44005	HEX NUT, SLOTTED, 2"-12
23	4	YNTL20005	HEX NUT, TOP LOCK, 5/8"-11
24	40	YNWL24005	WHEEL NUT, 3/4"-16 UNF GR. 8

NOTE: * MEANS NOT SHOWN

FIGURE 10

OILER KIT

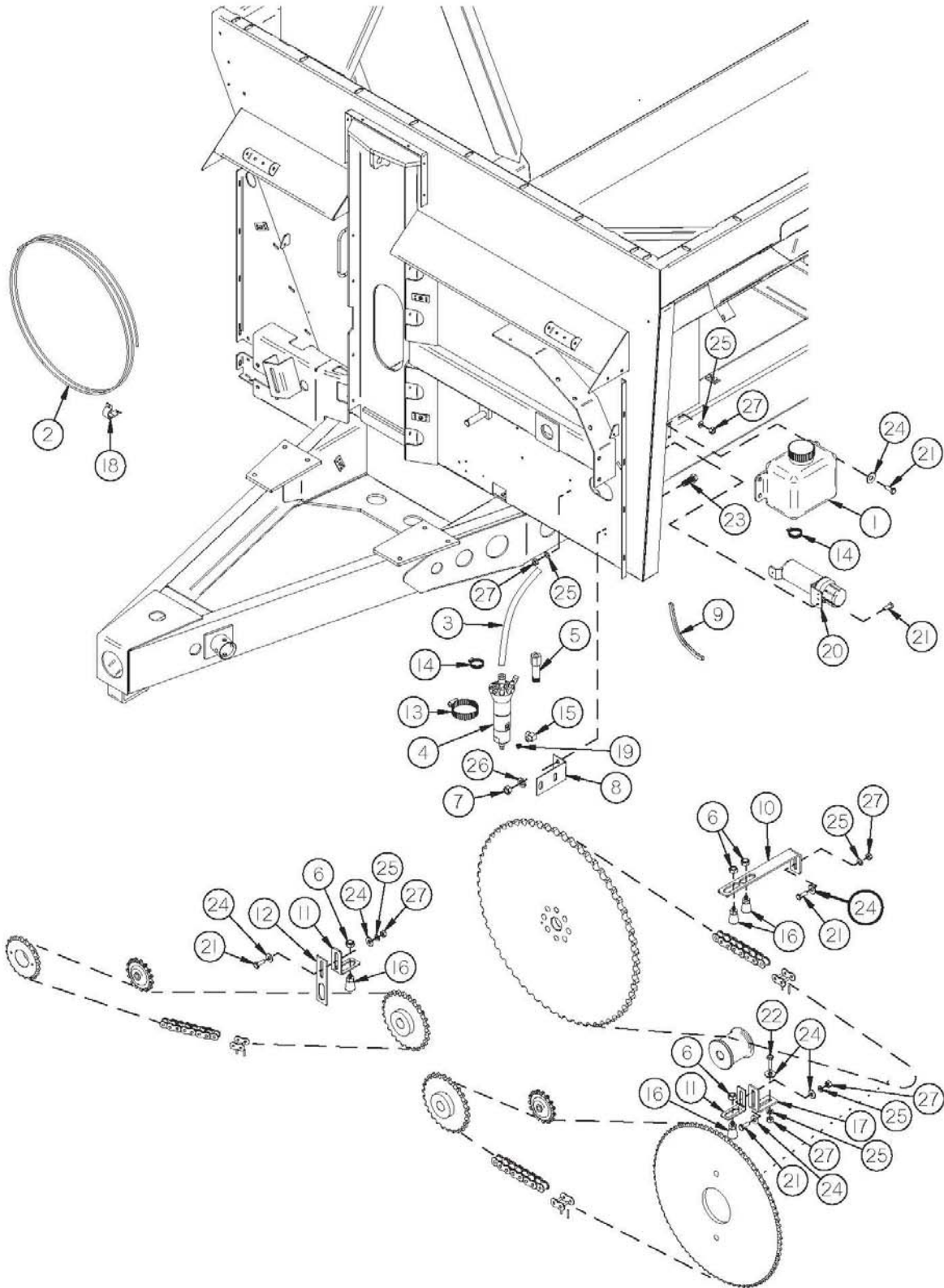


FIGURE 10

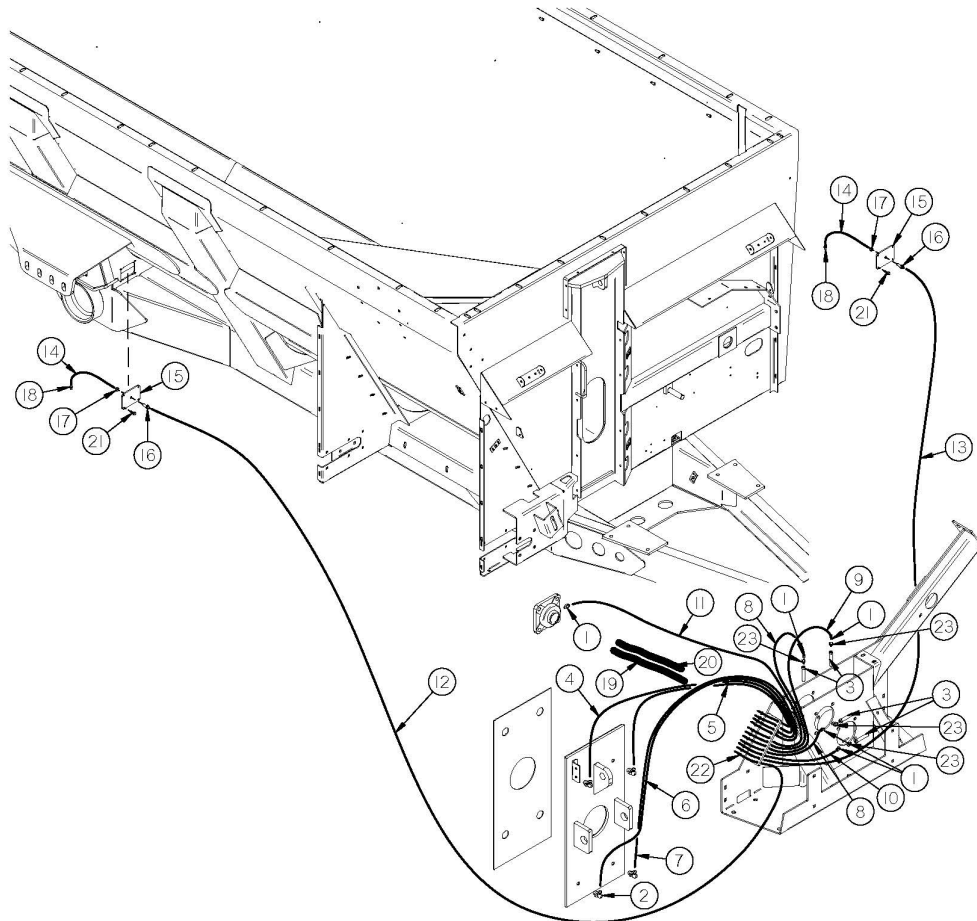
OILER KIT

<u>ITEM</u>	<u>QTY</u>	<u>PART #</u>	<u>DESCRIPTION</u>
1	1	HGV63	RESERVOIR
2	1	HGV71	OIL TUBE
3	1	HGV66	FILLER HOSE
4	1	HGV82	PUMP (COMPLETE)
5	4	HGV84	170-4515 MANIFOLD ASSEMBLY
6	4	YNHX16005	HEX NUT, 1/2"
7	2	YNHX12005	HEX NUT, 3/8"-16
8	1	HGV68	PUMP MOUNT BRACKET
9	1	HGV77	EDGING
10	1	TS322	EXTRA LONG BRUSH BRACKET
11	2	TS98	OILER BRUSH BRACKET SINGLE
12	1	HGV70	BRACKET MOUNT
13	1	HGV74	2" HOSE CLAMP
14	2	HGV75	1" HOSE CLAMP
15	1	HGV65	O-RING/JIC ELBOW
16	4	HGV67	BRUSH
17	1	TS321	OILER HANGER
18	2	HGV162	1/2" RUBBER WIRE HOLDER
*	2	TS269	1/4" RUBBER WIRE HOLDER
*	2	YSHW08005	ROLLING SCREW, 1/4"-20 X 3/8", HEX WASHER HEAD Z THREAD, UNSLOTTED
19	1	TS198	ORIFICE .015 (4XHX7-S)
20	1	S522	MANUAL HOLDER
21	10	YBHH08100	BOLT, 1/4" X 3/4" GR. 5
22	1	YBHH08010	BOLT, 1/4" X 1" GR. 5
23	2	YBHH12135	BOLT, 3/8" X 3/4" GR. 5
24	10	YWFL08005	WASHER, FLAT, 1/4" USS
25	11	YWLO08005	WASHER, LOCK, 1/4"
26	2	YWLO12005	WASHER, LOCK, 3/8"
27	11	YNHX08005	HEX NUT, 1/4"-20
*	1	HGV62	COMPLETE OILER KIT

NOTE: * MEANS NOT SHOWN

FIGURE 11

FRONT GREASE LINES



Refer to Operator Manual for order of zerkl/line destination

FIGURE 11

FRONT GREASE LINES

<u>ITEM</u>	<u>QTY</u>	<u>PART #</u>	<u>DESCRIPTION</u>
1	5	66078	COUPLING, 1/8" FEMALE PIPE & 1/8" FEMALE PIPE
2	4	GM30	1/8" 90° GREASE LINE ADAPTER
3	4	66077	NIPPLE, 1/8" MALE PIPE X 2-1/2"
4	1	TS265	GREASE LINE - 81"
5	1	TS266	GREASE LINE - 82"
6	1	TS267	GREASE LINE - 97"
7	1	TS268	GREASE LINE - 101"
8	2	TS270	GREASE LINE - 10.5"
9	1	TS271	GREASE LINE - 16"
10	1	TS272	GREASE LINE - 17.5"
11	1	TS273	GREASE LINE - 47.75"
12	1	APX3MS38	GREASE LINE 200"
13	1	APX3MS39	GREASE LINE - 230"
14	2	APX3MS37	GREASE LINE - 12"
15	2	APX43G14	ZERK ACCESS PANEL
16	2	1089	BULKHEAD UNION -4 JIC
17	2	1090	BULKHEAD LOCKNUT
18	2	53449	MALE CONNECTOR 1/8" NPT TO -4 JIC
19	1	TS246	SPLIT LOOM 3/4" X 18"
20	1	TS332	SPLIT LOOM 3/4" X 14"
*	2	HGV72	3/4" RUBBER WIRE HOLDER
21	8	YBFB10001	BOLT, SERRATED FLANGE, 5/16"-18 X 1" GR. 5 FULL THREAD
22	10	YNML99005	M10-1.0 JAM NUT A2 SS
23	4	66079	HEX ADAPTER, 1/4" FEMALE & 1/8" FEMALE PIPE

NOTE: * MEANS NOT SHOWN

FIGURE 12

LIGHTING

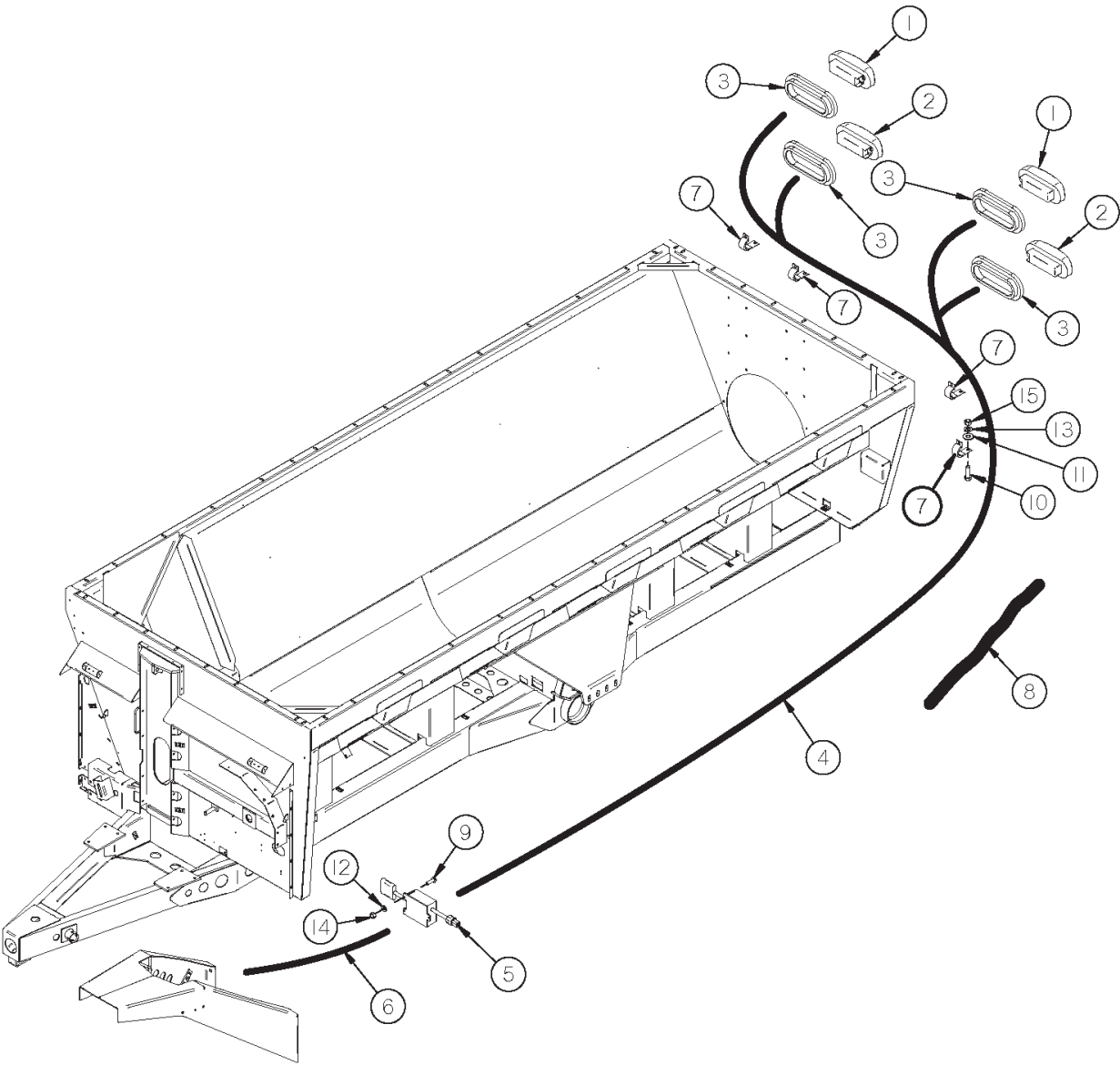


FIGURE 12

LIGHTING

<u>ITEM</u>	<u>QTY</u>	<u>PART #</u>	<u>DESCRIPTION</u>
1	2	S309	YELLOW HAZARD LIGHT
2	2	S310	RED TAIL LIGHT
3	4	S308	RUBBER LIGHT MOUNT
4	1	1080	TAIL LIGHT LOOM
5	1	S441	FLASHER MODULE
6	1	TS317	HARNESS MODULE TO TRACTOR
7	4	HGV162	1/2" RUBBER WIRE HOLDER
8	1	TS129	SPIRAL WRAP, 30"
9	3	YBHH08100	BOLT, 1/4" X 3/4" GR. 5
10	4	YBHH10105	BOLT, 5/16" X 3/4" GR. 5
11	4	YWFL10005	WASHER, FLAT, 5/16" USS
12	3	YWLO08005	WASHER, LOCK, 1/4"
13	4	YWLO10005	WASHER, LOCK, 5/16"
14	3	YNHX08005	HEX NUT, 1/4"-20
15	4	YNHX10005	HEX NUT, 5/16"

NOTE: * MEANS NOT SHOWN

FIGURE 13

AUGER

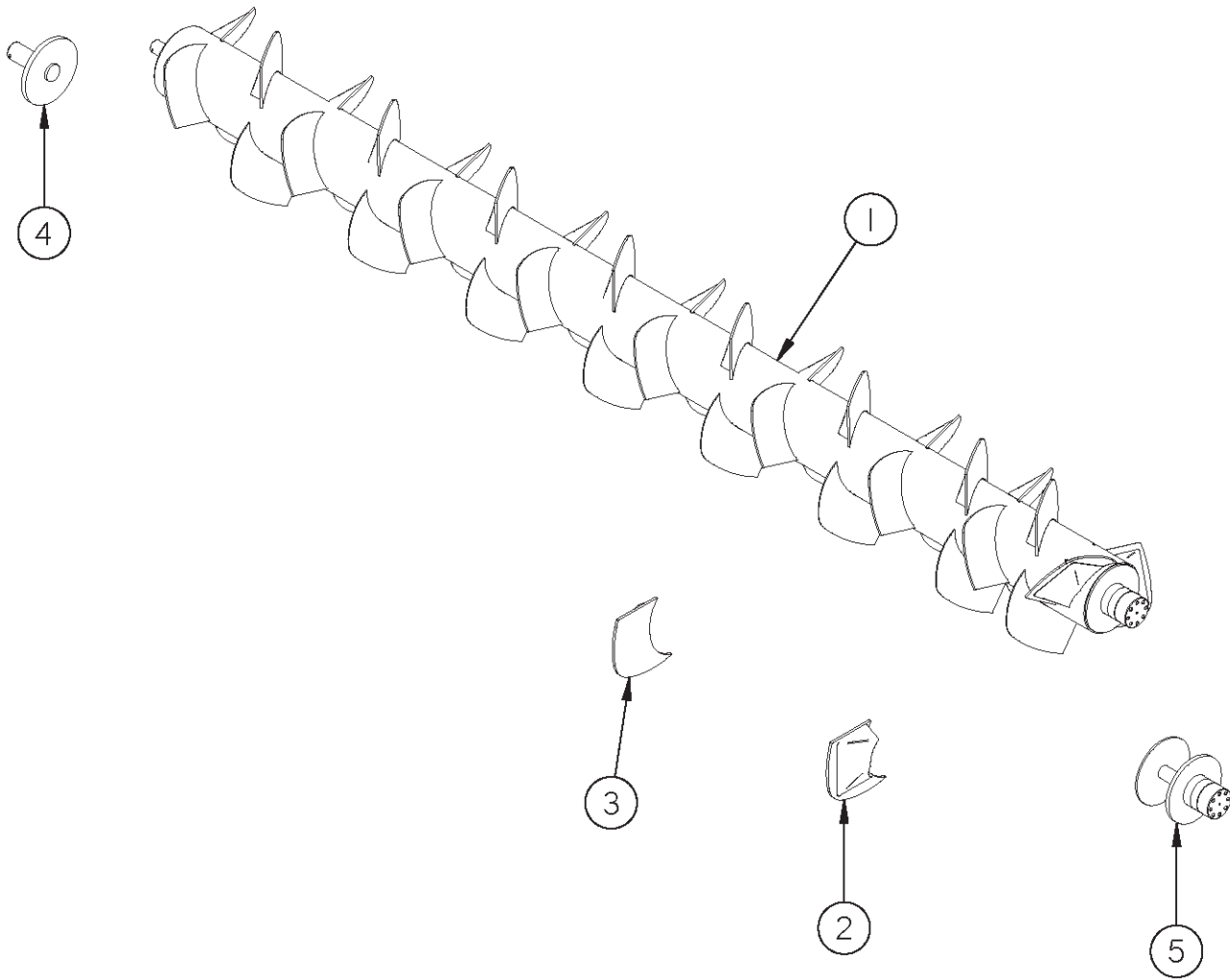


FIGURE 13

AUGER

<u>ITEM</u>	<u>QTY</u>	<u>PART #</u>	<u>DESCRIPTION</u>
1	1	APX4WE01	AUGER
2	2	TS275	AUGER PADDLE FRONT
3	40	TS276	AUGER PADDLE REAR
4	1	TS277	AUGER REAR ASSEMBLY
5	1	TS278	AUGER INPUT SHAFT

FIGURE 14

GEARBOX

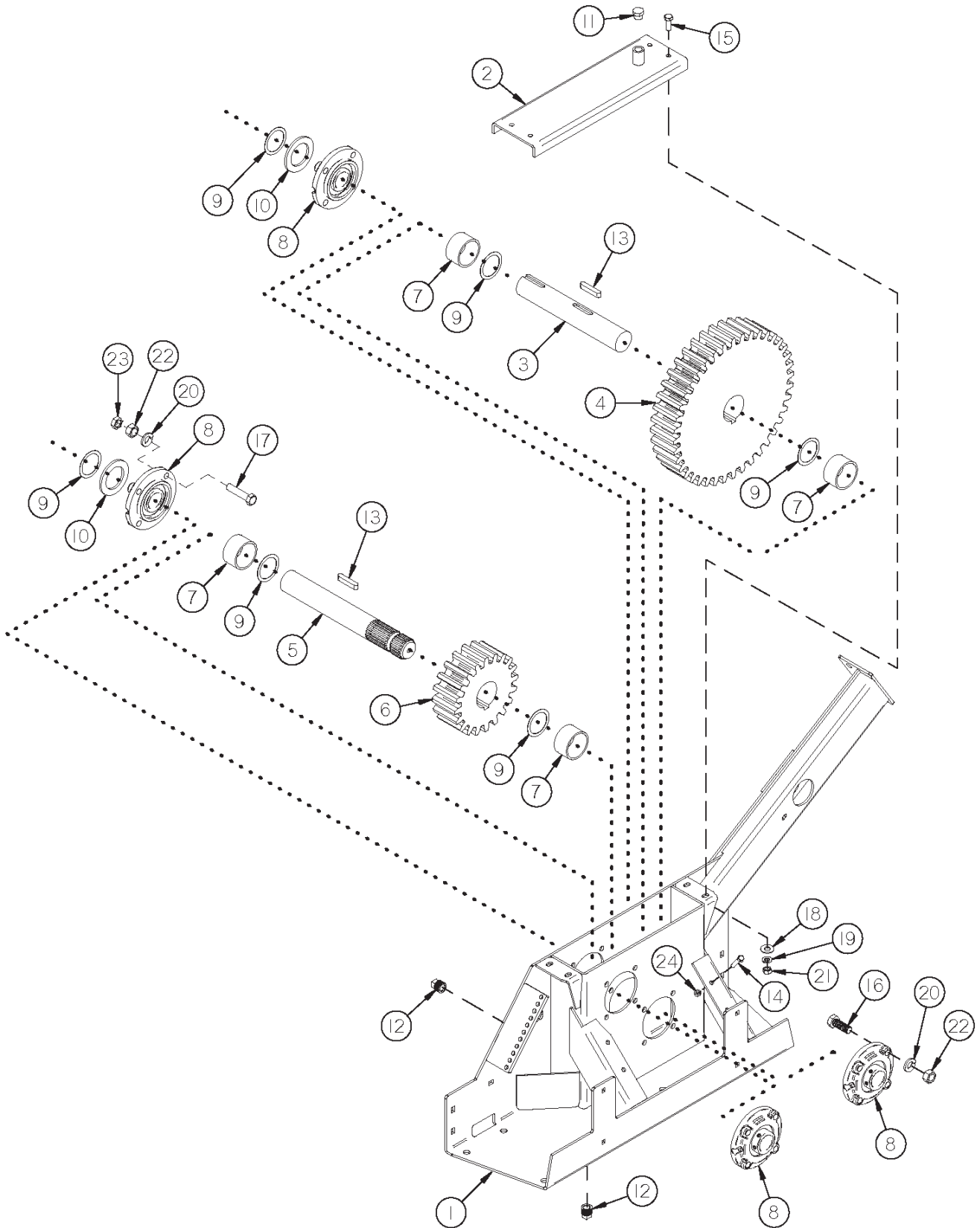


FIGURE 14

GEARBOX

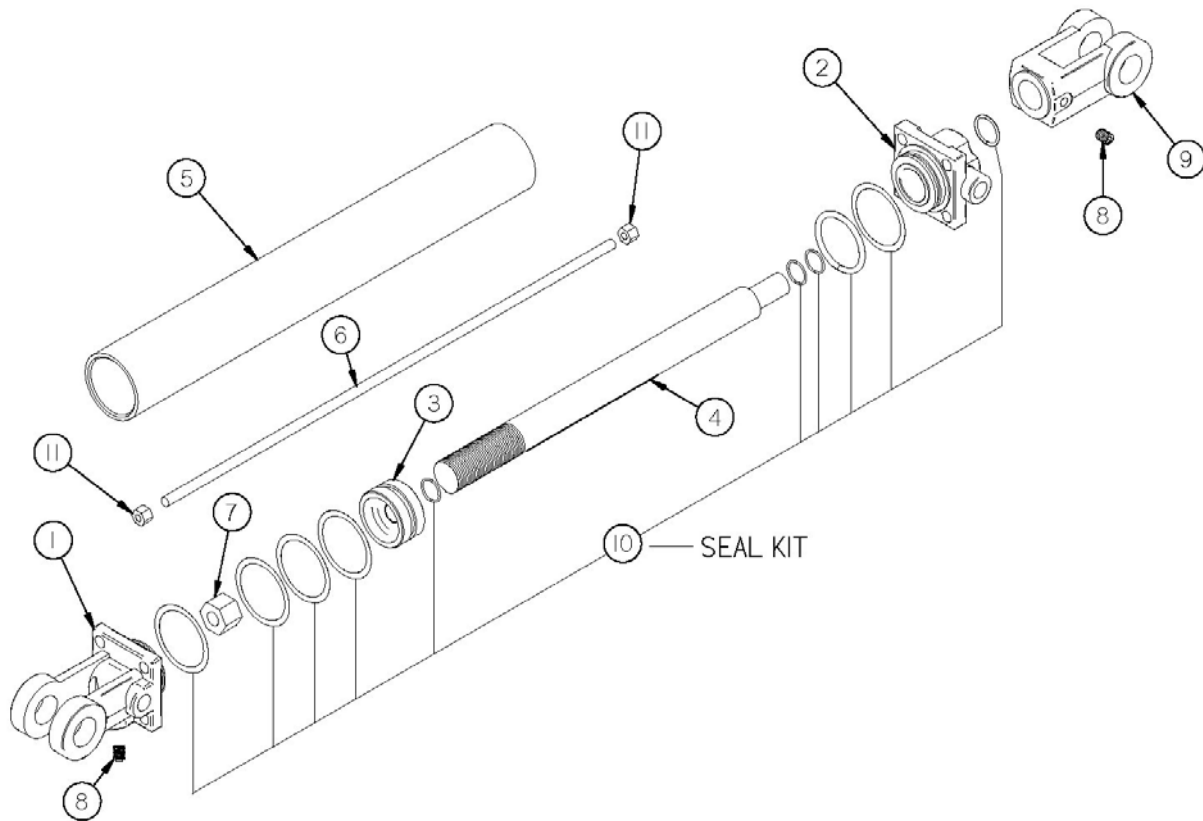
<u>ITEM</u>	<u>QTY</u>	<u>PART #</u>	<u>DESCRIPTION</u>
1	1	TS240	GEARBOX
2	1	TS279	GEARBOX COVER
3	1	TS280	SECONDARY SHAFT
4	1	TS281	SPUR GEAR 40 TOOTH
5	1	TS282	SPLINED INPUT SHAFT
6	1	TS283	SPUR GEAR 20 TOOTH
7	4	TS284	BUSHING
8	4	TS285	BEARING
9	A/R	TS286	SHIM, 1/32" THICK
10	A/R	S36	SHIM, 3/16" THICK
*	A/R	S409	SHIM, 1/8" THICK
11	1	SD134	VENT PLUG
12	2	DWM159	3/4" PIPE PLUG
13	2	56N174	3/8" X 2" SQUARE KEY, ROUND ENDS (HARDENED)
14	4	YBHH10075	BOLT, 5/16" X 2" GR. 8
15	4	YBHH12010	BOLT, 3/8" X 1" GR. 5
16	15	YBHH16065	BOLT, 1/2" X 2" GR. 5
17	1	YBHH16080	BOLT, 1/2" X 2-1/2" GR. 5
18	4	YWFL12005	WASHER, FLAT, 3/8" USS
19	4	YWLO12005	WASHER, LOCK, 3/8"
20	16	YWLO16005	WASHER, LOCK, 1/2"
21	4	YNHX12005	HEX NUT, 3/8"-16
22	16	YNHX16005	HEX NUT, 1/2"
23	1	YNJM16005	HEX NUT, JAM, 1/2"-13
24	4	YNTL10005	HEX NUT, TOP LOCK, 5/16"-18
*	1	APX3AS07	GEARBOX COMPLETE

NOTE: * MEANS NOT SHOWN

A/R: MEANS AS REQUIRED

FIGURE 15

AUGER FRONT/REAR HYDRAULIC CYLINDER

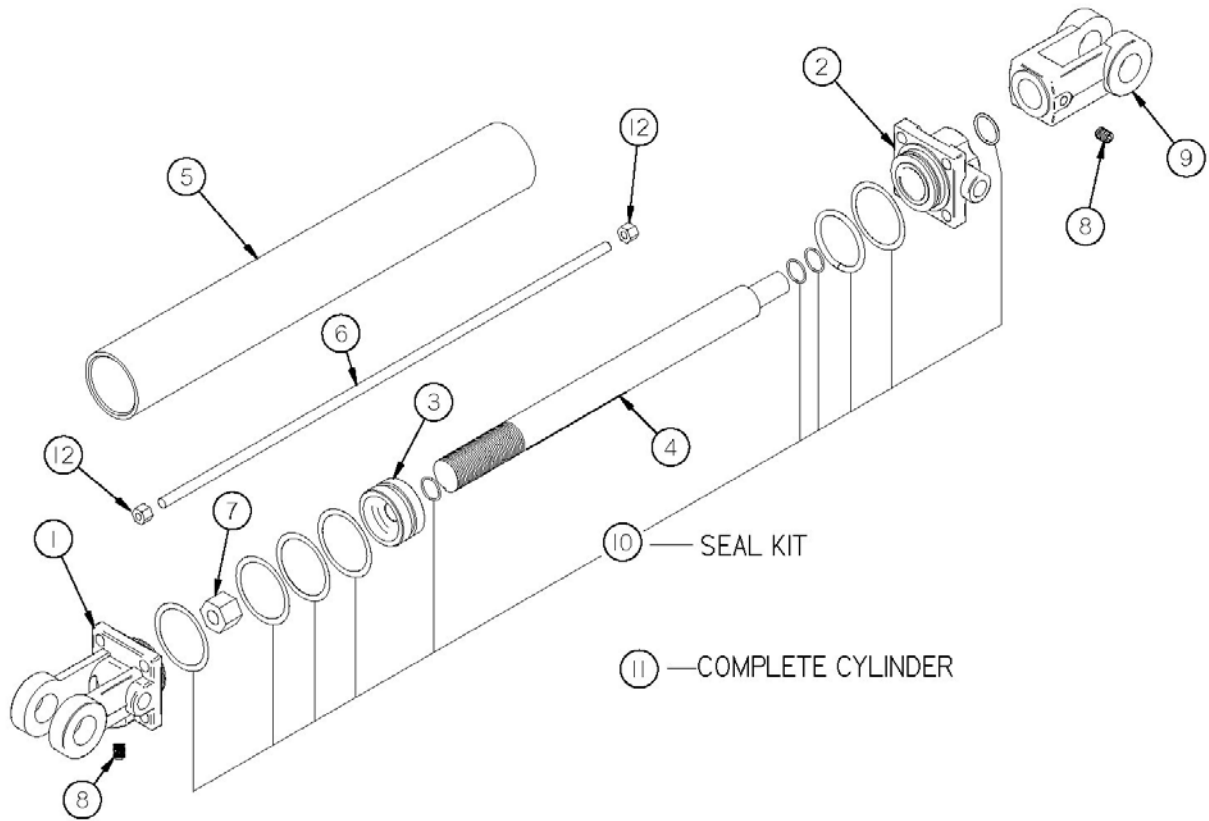


<u>ITEM</u>	<u>QTY</u>	<u>3" BORE</u>	<u>3-1/4" BORE</u>	<u>DESCRIPTION</u>
1	1	TS160	TS176	BASE (3/4-16 SAE PORT)
2	1	TS158	TS174	HEAD (3/4-16 SAE PORT)
3	1	TS159	TS175	PISTON NUT
4	1	TS156	TS172	ROD
5	1	TS157	TS173	TUBE
6	4	TS153	TS171	TIE ROD
7	1	TS145	TS166	PISTON NUT
8	1	TS152	"	PLUG ASSY (3/4-16 SAE)
9	1	TS155	"	CLEVIS ASSEMBLY
10	1	TS163	TS177	SEAL KIT
11	8	TS144	TS165	TIE ROD NUT

NOTE: " MEANS SAME AS PREVIOUS MODEL

FIGURE 16

EXPELLER DOOR HYDRAULIC CYLINDER

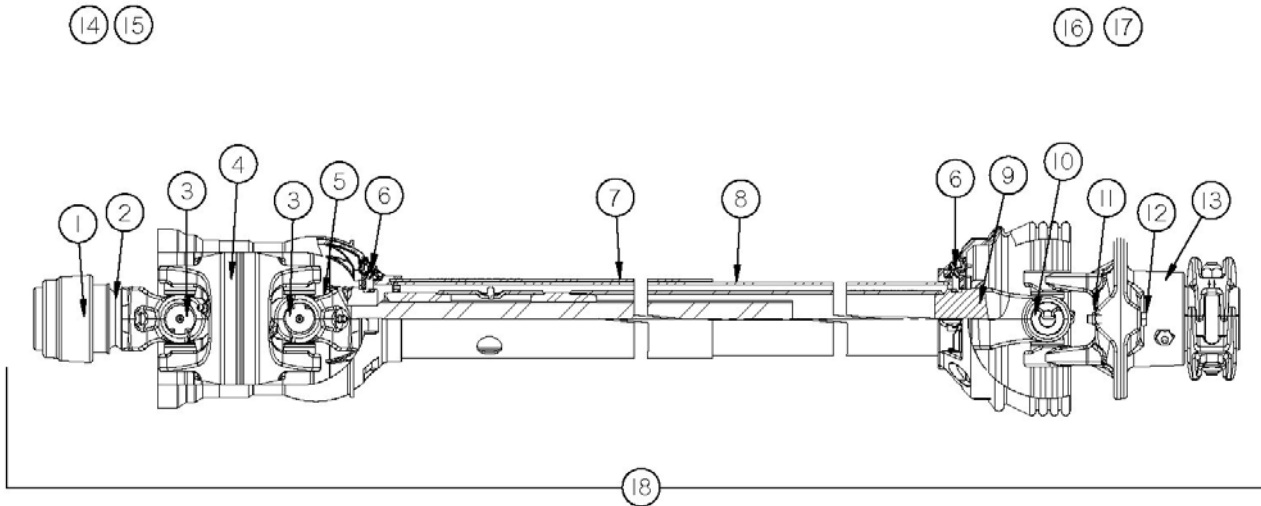


ITEM	QTY	PART #	DESCRIPTION
1	1	23N142A	CLEVIS CAP
2	1	23N143	ROD CAP (SERIAL #214011 AND PRIOR)
*	1	56174	ROD CAP (SERIAL #314012 AND FORWARD)
3	1	23N144	PISTON (SERIAL #214011 AND PRIOR)
*	1	56180	PISTON (SERIAL #314012 AND FORWARD)
4	1	23N145A	ROD
5	1	23N146	CYLINDER TUBE
6	4	23N147	TIE ROD
7	1	23N148	PISTON NUT
8	2	23N149	PLUG
9	1	23N150A	ROD CLEVIS
10	1	23N151	SEAL KIT (SERIAL #214011 AND PRIOR)
*	1	56187	SEAL KIT (SERIAL #314012 AND FORWARD)
11	1	23N111A	COMPLETE HYD. CYL. (SERIAL #214011 AND PRIOR)
*	1	56015	COMPLETE HYD. CYL. (SERIAL #314012 AND FORWARD)
12	8	YNHX12005	HEX NUT, 3/8"-16

NOTE: *MEANS NOT SHOWN

FIGURE 17

PTO

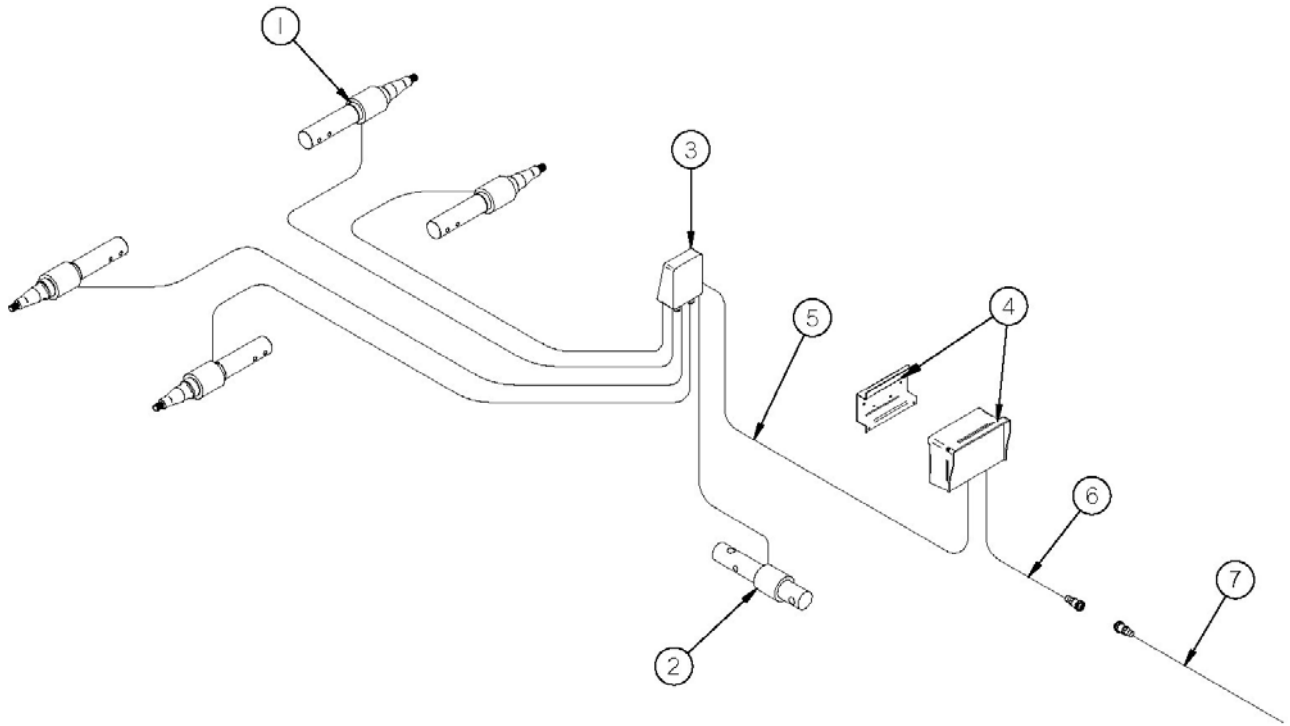


ITEM	1000RPM (1-3/8)	1000 RPM (1-3/4)	DESCRIPTION
1	16SV274	16SV275	SAFETY SLIDE LOCK REPAIR KIT
2	TS190	TS193	SAFETY SLIDE LOCK YOKE ASSEMBLY
3	TS179	"	CROSS KIT
4	TS180	"	CENTER HOUSING
5	TS287	"	YOKE & SHAFT
6	16SV383	"	GUARD REPAIR KIT
7	16SV283	"	SAFETY SIGN 13-10021
8	TS288	"	OUTER GUARD
9	TS289	"	INNER GUARD
10	16SV388	"	SAFETY SIGN 13-10022
11	TS290	"	YOKE, TUBE & SLIP SLEEVE
12	16SV179	"	35R CROSS & BEARING KIT
13	YNTL10005	"	HEX NUT, TOP LOCK, 5/16"-18
14	YBHH10075	"	BOLT, 5/16" X 2" GR. 8
15	TS291	"	OR BALL SHEAR ASSEMBLY
16	TS292	TS296	JOINT & SHAFT HALF ASSY. W/GUARD
17	TS293	TS297	JOINT & SHAFT HALF ASSY.
18	TS294	"	JOINT & TUBE HALF ASSY. W/GUARD
19	TS295	"	JOINT & TUBE HALF ASSY.
20	TS303	-----	COMPLETE PTO (#245-25123)
21	-----	TS304	COMPLETE PTO (#245-25124)
22	S402	"	SAFETY MANUAL

**NOTE: " SAME AS PREVIOUS PART
 ----- NOT USED ON THIS MODEL**

FIGURE 18

SCALE



<u>ITEM</u>	<u>QTY</u>	<u>PART #</u>	<u>DESCRIPTION</u>
1	4	TS335	SPINDLE LOAD CELL
2	1	TS336	HITCH LOAD CELL
3	1	TS83	JUNCTION BOX
4	1	GM408	BRKT IND MTG 840459
*	1	TS337	SCALE DISPLAY W/GPS (OPTIONAL)
5	1	TS338	JUNCTION BOX CORD
6	1	TS385	POWER CORD
7	1	16SV269	TRACTOR POWER CORD

NOTE: * MEANS NOT SHOWN

FIGURE 19
COVER COMPONENTS

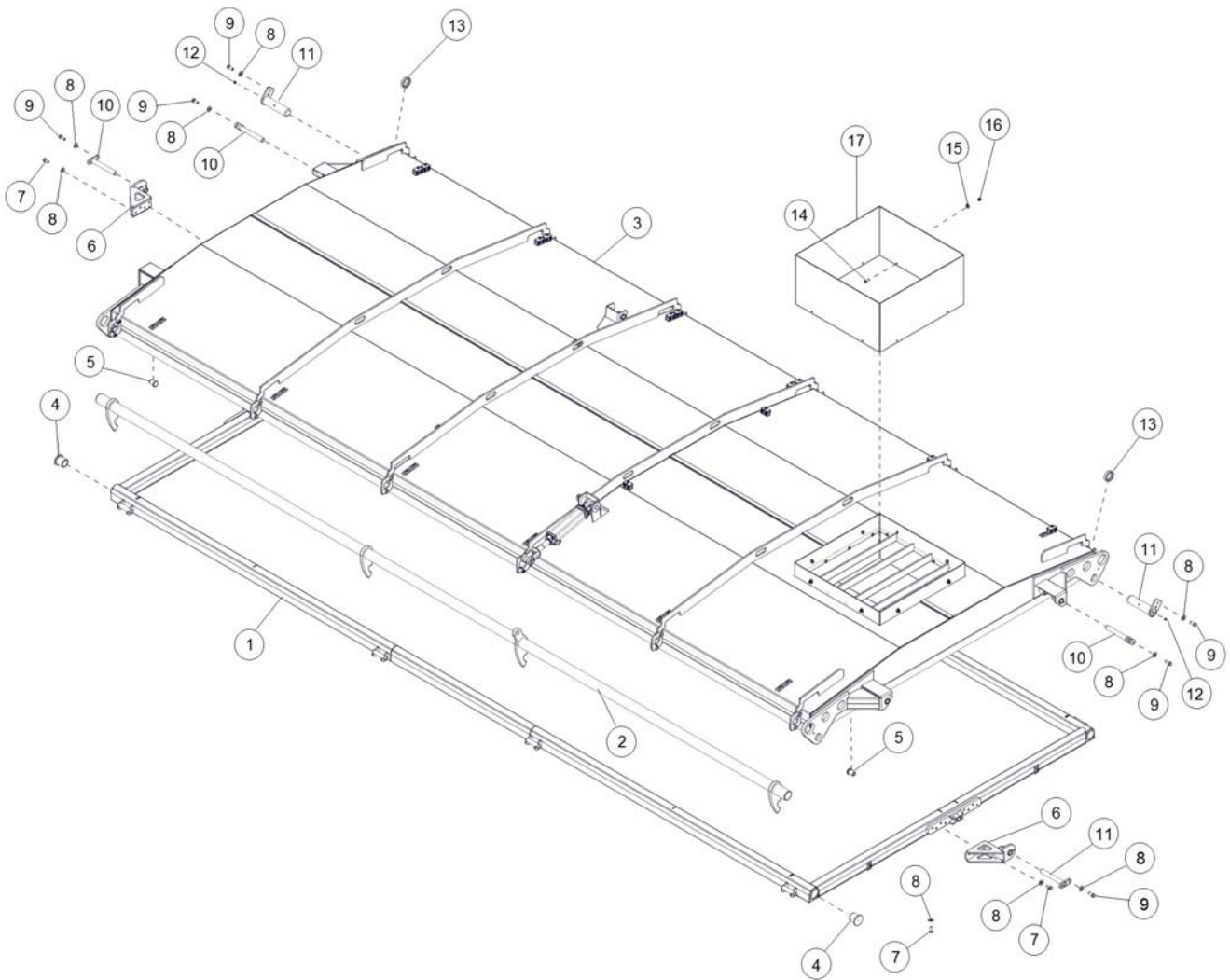


FIGURE 19

COVER COMPONENTS

<u>ITEM</u>	<u>QTY</u>	<u>PART #</u>	<u>DESCRIPTION</u>
1	1	52017	5142 LID SUBFRAME WELDMENT
2	1	53076	CAM PIVOT WELDMENT
3	1	52025	5142 LID WELDMENT
4	2	0229MS04	0229 PIPE PLASTIC END PLUG
5	2	0229MS06	0229 PIPE PLASTIC END PLUG 1.00
6	2	0229WE12	CYLINDER BASE MOUNT WELDMENT
7	56	YBHH16012	BOLT, 1/2-13 X 1 GR 8
8	62	YWFL16005	1/2" FLAT WASHER
9	4	YBHH16045	BOLT, 1/2" X 1-1/4" GR. 5
10	4	0229WE05	0229 CYLINDER PIN HANDLE WELDMENT
11	2	0229WE03	0229 HINGE PIN ASSY-RF
12	2	BFR28	1/8" NPT GREASE ZERK
13	2	0229TU05	HINGE SPACER
14	8	YBHH12010	BOLT, 3/8-16 X 1 GR 5
15	8	YWFL12005	WASHER, FLAT, 3/8 USS
16	8	YNNY12005	HEX NUT, NYLON LOCKNUT, 3/8
17	1	56782	CHUTE EXTENSION

FIGURE 20
COVER HYDRAULICS

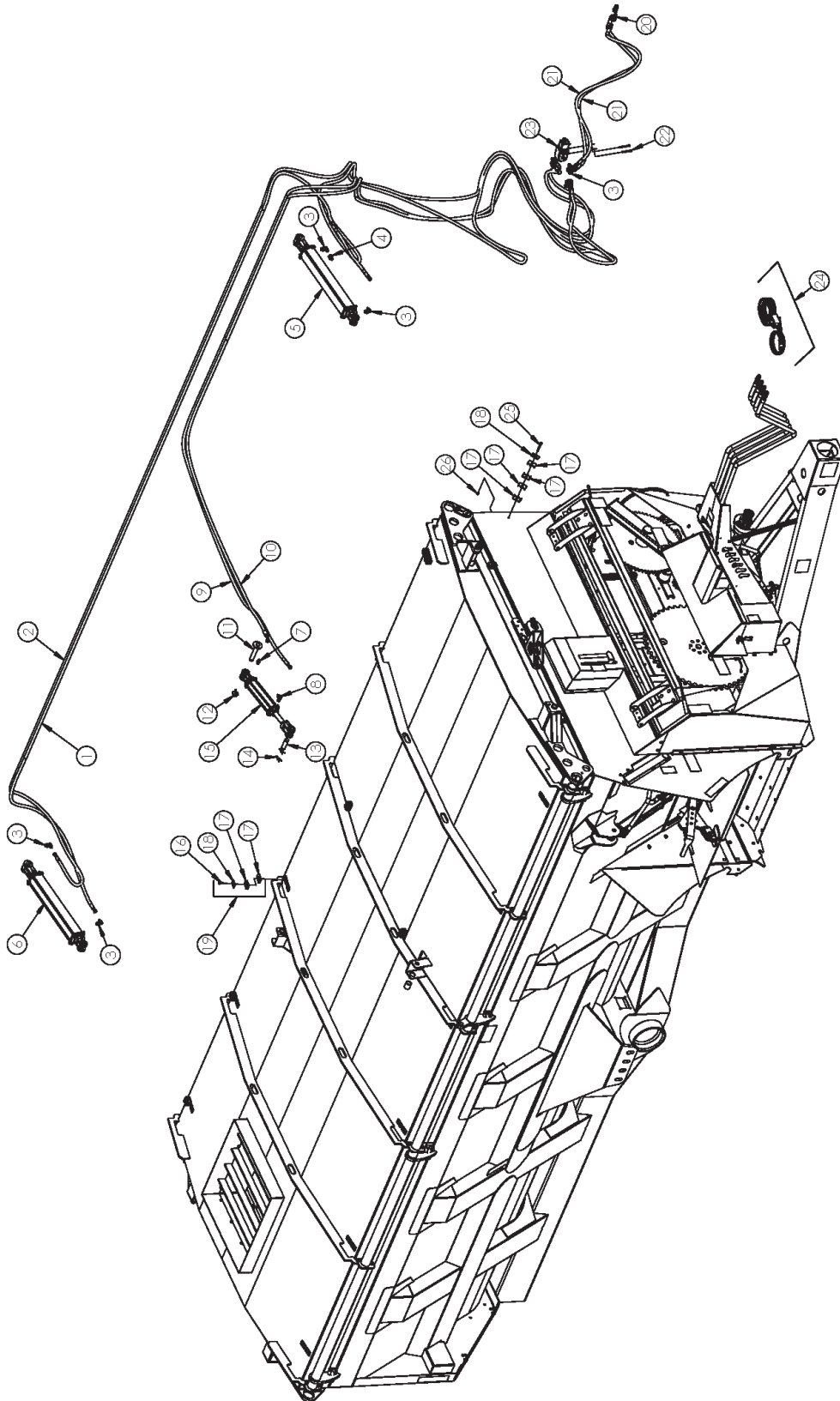


FIGURE 20

COVER HYDRAULICS

<u>ITEM</u>	<u>QTY</u>	<u>PART #</u>	<u>DESCRIPTION</u>
1	1	56070	HOSE, FCR TO RCB 351"
2	1	56069	HOSE, VBR TO RCR 455"
3	10	CHM206	06 90 DEG TO 3/4-16 ORB FITTING
4	1	1023	06-06 M/F ORIFICE, 0.047
5	1	1019	3.25 IN X 20 IN STROKE MASTER CYLINDER
*	1	8267	MASTER CYLINDER SEAL KIT
6	1	1020	3 IN X 20 IN STROKE SLAVE CYLINDER
*	1	8266	SLAVE CYLINDER SEAL KIT
7	1	CHM202	3/8 MALE NPT TO -6 MALE JIC
8	1	CHM164	MALE ELBOW CTX 6-6 CTX
9	1	56067	HOSE, LOCK CYL ROD END 398"
10	1	56066	HOSE, LOCK CYL BASE END 387"
11	1	56N163	ENDGATE HINGE PIN
12	1	YPLY12010	LYNCH PIN, 3/8" X 1-3/4"
13	1	T143	CYLINDER PIN
14	2	53371	CYLINDER PIN
15	1	BFR69A	HYD. CYLINDER, COMPLETE, 2 X 8
16	13	YBHH10010	BOLT, 5/16" X 1" GR. 5
17	15	CHM278	3/8 TWO LINE CLAMP BLOCK (SET OF 2)
18	15	CHM277	COVER PLATE
19	13	CHM270	3/8 TWO HOSE CLAMP
20	2	DWM205	QUICK COUPLING MALE
21	2	56068	HOSE, TRACTOR TO VALVE 58"
22	2	YSHS10021	SOCKET HEAD CAP SCREW, 5/16"-18 X 2-1/2"
23	1	FR81	SOLENOID SELECTOR VALVE
24	1	56136	TOP SHOT LID COMPLETE CONTROL BOX
25	2	YBHH10097	BOLT, 5/16" X 3" GR. 5
26	3	YNNY10005	HEX NUT, NYLON LOCKNUT, 5/16"-18

NOTE: * MEANS NOT SHOWN

FIGURE 21
COVER SEAL

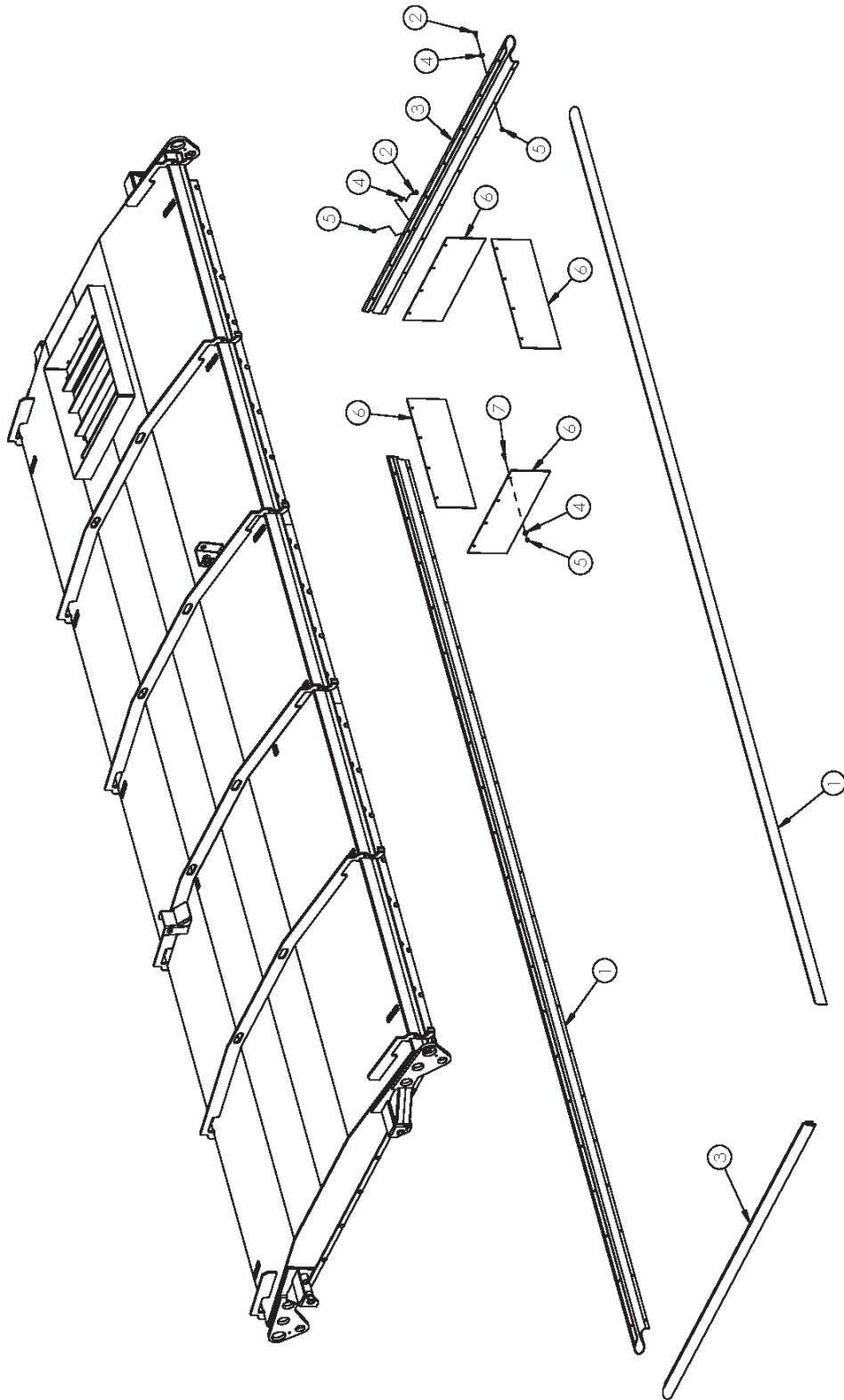


FIGURE 21
COVER SEAL

<u>ITEM</u>	<u>QTY</u>	<u>PART #</u>	<u>DESCRIPTION</u>
1	2	52033	5142 SEAL BELT, LONG
2	112	YBCR12006	CARR. BOLT, 3/8" X 1" GR. 2 FULL THREAD
3	2	0229MS02	SEAL BELT, SHORT
4	128	YWFL12005	FLAT WASHER, 3/8", GR. 5
5	128	YNNY12005	HEX NUT, NYLON LOCKNUT, 3/8"
6	4	0229MS05	BELTING, CHUTE
7	16	YBHH12010	BOLT, 3/8" X 1" GR. 5

H&S MFG. CO.

products approved

for the

FEMA

SEAL OF QUALITY

